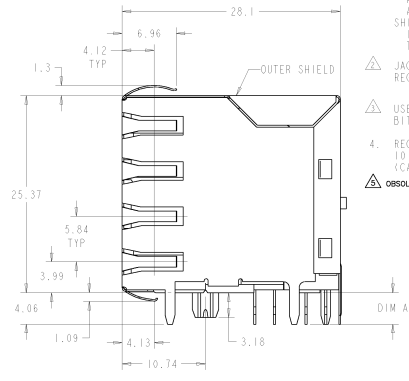
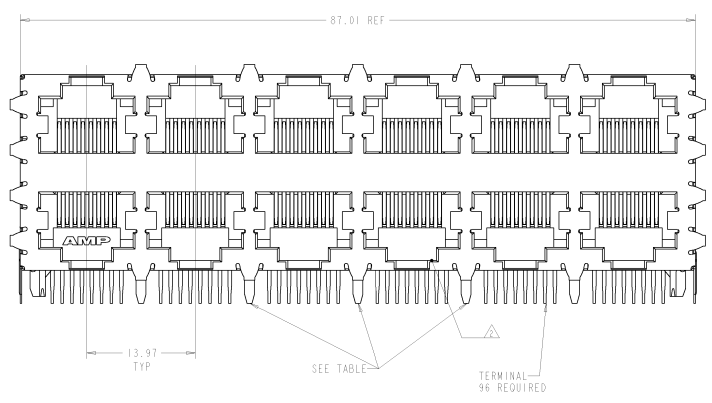
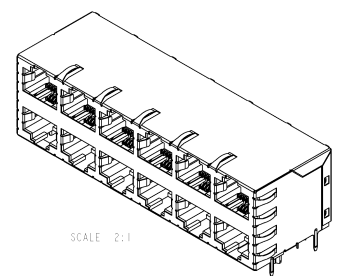
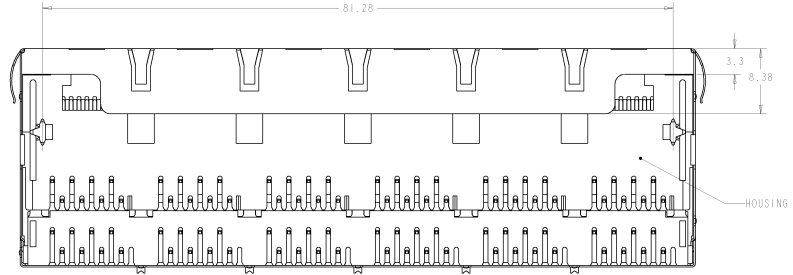


8	7	6	5	4	3	2	1
DATE REVISIONS TO BE MAINTAINED	REVISIONS TO BE MAINTAINED						
BY: [Signature]	BY: [Signature]						

REV	DATE	DESCRIPTION	BY	CHKD	APPD
AA	22				
A		REV. EC 0011-0201-04			
B		REV PER ECO-01-034583			
B1		REVISED PER ECO-10-000445	11JAN10	KK	ABG



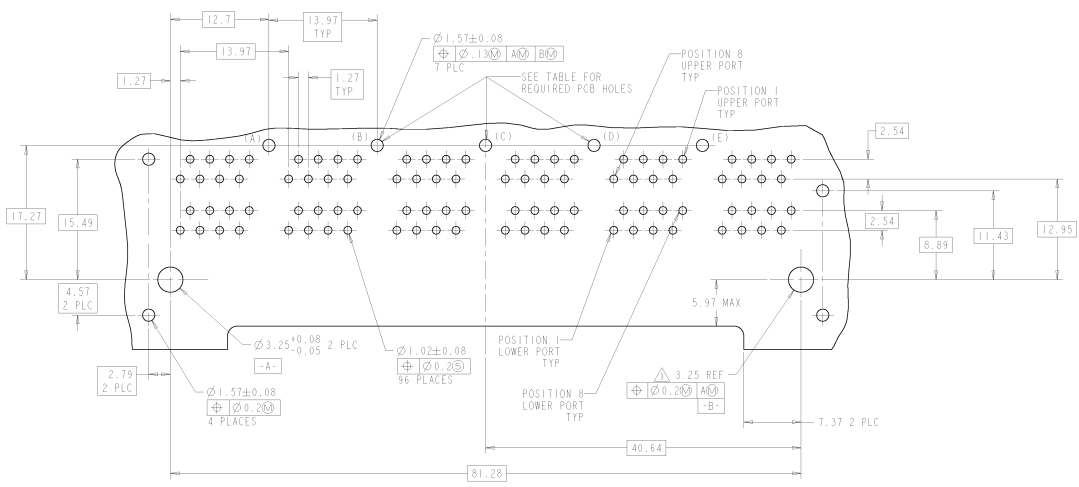
- △ HOUSING: PCT POLYESTER, BLACK, UL 94V-0.
- TERMINALS: 0.305 THICK PHOS BRONZE PLATED WITH 1.27µm MINIMUM THICK HARD GOLD IN LOCALIZED AREA AND 2.03µm MINIMUM THICK MATTE TIN IN SOLDER AREA OVER 1.27µm MINIMUM THICK NICKEL UNDERPLATE.
- SHIELD: 0.196 THICK COPPER ALLOY PLATED WITH 1.27µm MINIMUM NICKEL AND 2.03µm MINIMUM HOT TIN DIP ON PCB GROUND TABS.
- △ JACK CAVITY CONFORMS TO FCC RULES AND REGULATIONS, PART 68 SUBPART F.
- △ USE #30 DRILL BIT OR 3.25mm DRILL BIT WHEN PRODUCING THESE PCB HOLES
- 4. RECOMMENDED APPLICATIONS: FAST ETHERNET, 10 BASE-T ETHERNET, AND 10/100 BASE-T ETHERNET (CAT 5 TWO PAIR 1/2, 3/6)
- △ OBSOLETE PARTS: OBSOLETE CIS STREAMLING PER D.RENAND/D.SINIS



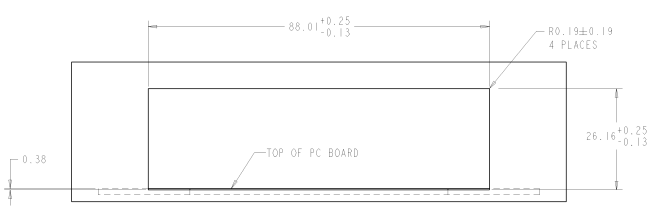
OBSOLETE	2.05	NONE	NONE	-----
	2.54	NONE	NONE	-----
	3.54	A, C, E	3	-----
	3.96	A, B, C, D, E	5	0.339114-1

TECHNICAL DATA MANUFACTURER: [Logo] PART NO.: 100-1143-1 DATE: 10-2008 MATERIAL: [Symbol]		REVISIONS REV: 1 DATE: 10-2008 BY: [Signature] CHECKED: [Signature]		DESCRIPTION ASSEMBLY STACKED JACK, 2 X 6, 8 POSITION SHIELDED, WAVE PANEL GROUND	
PROPERTY [Symbol]		STANDARD [Symbol]		OTHER INFO DIM A: JACK HOLES USE REAR PROB TABS PART NO.: [Symbol]	
APPROVED [Signature]		DATE 10-2008		SCALE 2:1	

REV. NO.		DESCRIPTION	DATE	BY	CHKD
AA	22	SEE SHEET 1			



PC BOARD LAYOUT VIEWED FROM COMPONENT SIDE OF BOARD
 SCALE 4:1



SUGGESTED PANEL CUTOUT DIMENSIONS
 SCALE 2:1

TELECOM TELECOMMUNICATIONS ELECTRONICS 1000 WILSON AVENUE WILKES BARRE, PA 18208-1000		TELECOM TELECOMMUNICATIONS ELECTRONICS 1000 WILSON AVENUE WILKES BARRE, PA 18208-1000	
PART NO. 00773	REV. 02	TITLE ASSEMBLY STACKED JACK, 2 X 6, 8 POSITION SHIELDED, WAVE PANEL GROUND	DRAWN BY TERRY L. BROWN
MATERIAL STEEL		CUSTOMER DRAWING YES	