

4

3

2

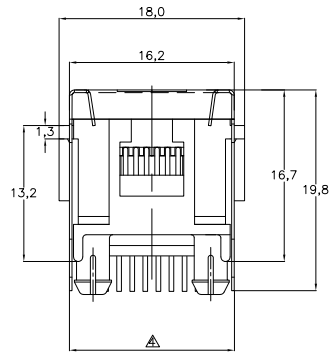
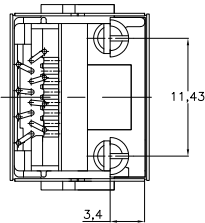
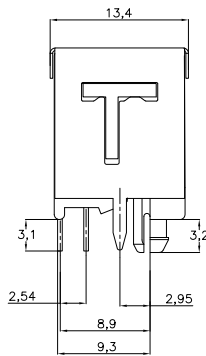
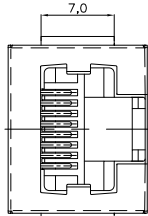
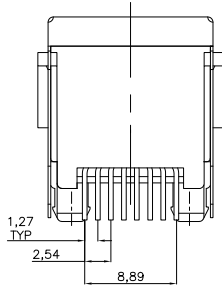
1

THIS DRAWING IS UNPUBLISHED. RELEASED FOR PUBLICATION. ALL RIGHTS RESERVED.

LOC	DIST	REVISIONS		
F	LNR	DESCRIPTION	DATE	BY
H	-			
	N1	REVISED PER ECO-11-005294	05APR11	RK HMR

NOTES:

1. TOLERANCES UNLESS OTHERWISE SPECIFIED: ± 0.15 .
2. FOR APPLICATION INFORMATION SEE AMP SPEC. 114-19019.
3. FOR PERFORMANCE REQUIREMENTS SEE AMP SPEC. 108-19064
4. THIS DIMENSION CONCERNING THE GROUNDING TIPS OF THE SHIELD IS NOT GUARANTEED PRIOR TO MOUNTING ON THE PCB



THIS DRAWING IS A CONTROLLED DOCUMENT.		DRN: R.HOOEVEEN 03DEC91		
DIMENSIONS: mm		CHK: W.BRUMMANS 30MAR92		
TOLERANCES UNLESS OTHERWISE SPECIFIED:		APPD: L.V.SOEST 01APR92	NAME: MODULAR JACK 8 POS. TOP ENTRY SHIELDED WITH PANEL STOP FOR PRINTED CIRCUIT BOARD	
0 PLC	±	PRODUCT SPEC:	SIZE: A2	CAGE CODE (DRAWING NO): 00779
1 PLC	±	APPLICATION SPEC:	RESTRICTED TO:	
2 PLC	±	WEIGHT:		
3 PLC	±	FINISH:		
4 PLC	±	CUSTOMER DRAWING	SCALE: -	SHEET: 1 of 2
ANGLES	±			REV: N1

4

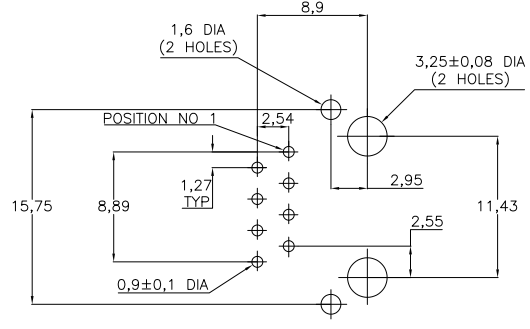
3

2

1

THIS DRAWING IS UNPUBLISHED. RELEASED FOR PUBLICATION
 © COPYRIGHT - By - ALL RIGHTS RESERVED.

LOC	DIST	REVISIONS			
F	LNK	DESCRIPTION	DATE	OWN	APPD
-	-	SEE SHEET 1	-	-	-



PRINTED CIRCUIT BOARD LAYOUT
 [VIEW SHOWN IS CIRCUIT (NONCOMPONENT) SIDE OF BOARD.]
 TOLERANCES UNLESS OTHERWISE SPECIFIED: ± 0.05
 PRINTED CIRCUIT BOARD THICKNESS: 1,6 mm NOMINAL.

PACKAGING	REMARKS	FINISH	MATERIAL	PART NUMBER
BLISTER (1080 pcs, IN A BOX)	8 POSITIONS/ 8 CONTACTS,	IN CONTACT AREA : 1,2µm MIN. SEL. GOLD OVER 1,2µm MIN. NICKEL SOLDER TINES : 2,0µm MIN. TIN OVER 1,2µm MIN. NICKEL	HOUSING: PBT,UL 94-V0 COLOR: BLACK CONTACTS: PHOSPHOR BRONZE SHIELD:PHOSPHOR BRONZE PRE-PLATED BRIGHT TIN	100616-2
			HOUSING: PBT,UL 94-HB COLOR: BLACK CONTACTS: PHOSPHOR BRONZE SHIELD:PHOSPHOR BRONZE PRE-PLATED BRIGHT TIN	100616-1

THIS DRAWING IS A CONTROLLED DOCUMENT.

DRN	R.HOGEVEEN	03DEC91
CHK	W. BRUMMANS	30MAR92
APPD	L.V. SOEST	01APR92
NAME	TE Connectivity	
PRODUCT SPEC	MODULAR JACK 8 POS. TOP ENTRY SHIELDED WITH PANEL STOP FOR PRINTED CIRCUIT BOARD	
APPLICATION SPEC	SIZE	CAGE CODE (DRAWING NO)
WEIGHT	A2	00779
MATERIAL	SEE TABLE	RESTRICTED TO
FINISH	SEE TABLE	SCALE
CUSTOMER DRAWING	SCALE	SHEET 2 of 2

100616

A