

4

3

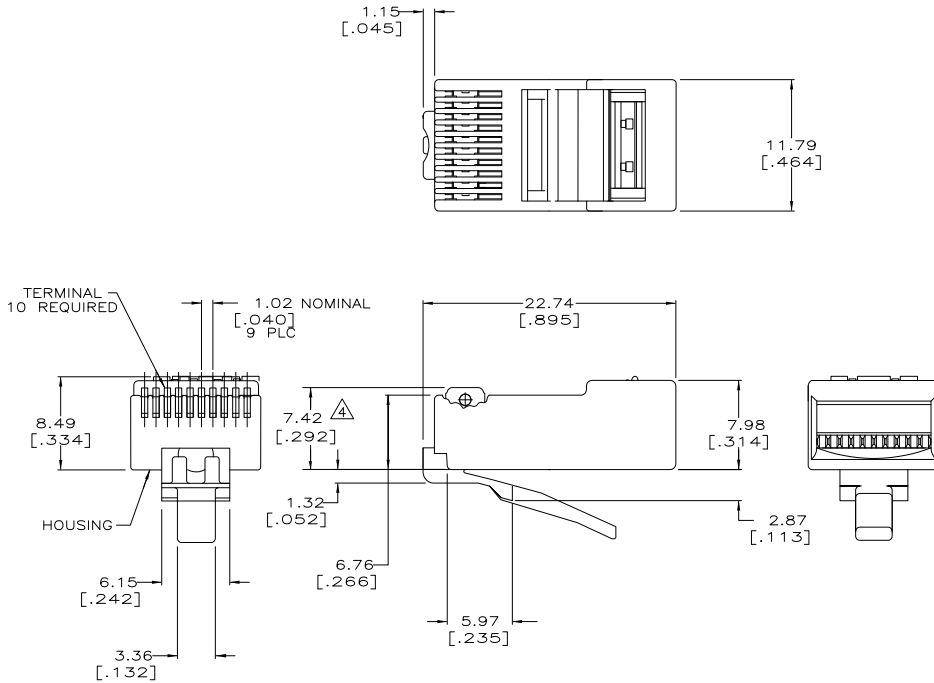
2

1

THIS DRAWING IS UNPUBLISHED. RELEASED FOR PUBLICATION. ALL RIGHTS RESERVED.

LOC	DIST	REVISIONS			
F	LNK	DESCRIPTION	DATE	BY	APPD
HM	00				
	C1	REVISED PER ECO-11-005033	21MAR11	RK	HMR

- 1 DIMENSIONS ARE MAXIMUM UNLESS OTHERWISE SPECIFIED.
- 2 MATERIAL: HOUSING- POLYCARBONATE, CLEAR TERMINAL- PHOSPHOR BRONZE, PLATED WITH 1.27µm [.000050] MINIMUM THICK GOLD IN LOCALIZED GOLD PLATE AREA, GOLD FLASH OVER THE REMAINDER, OVER 2.54µm [.000100] MINIMUM THICK NICKEL UNDERPLATE.
- 3. PLUG WILL ACCEPT 24 TO 28 AWG STRANDED WIRE, 0.74-0.99 [.029-.039] DIAMETER, WITH A 5.34 [.210] DIAMETER JACKET.
- 4 TERMINATED DIMENSION 6.15 [.242] MAXIMUM.
- 5 500 ASSEMBLIES PER PACKAGE.
- 6 100 ASSEMBLIES PER PACKAGE.



5-557963-3
5-557963-2
PACKAGED PART NUMBER

THIS DRAWING IS A CONTROLLED DOCUMENT.		DRN S. SIMPSON 24-APR-93	TE Connectivity	
DIMENSIONS mm [INCHES]		CHK C. WHITT 11-MAY-93	TE	
TOLERANCES UNLESS OTHERWISE SPECIFIED		APPD M. HAWKINS 14-MAY-93	NAME	
0 PLC ± .010		PRODUCT SPEC 108-1163		
1 PLC ± .005		APPLICATION SPEC 114-6016		
2 PLC ± .002		SIZE A2		
3 PLC ± .001		CAGE CODE 00779		
4 PLC ± .0005		DRAWING NO C-557963		
ANGLES ± .5°		RESTRICTED TO		
FINISH		CUSTOMER DRAWING		
MATERIAL		SCALE 4:1		
FINISH		SHEET 1 of 1		
MATERIAL		REV C1		

1471-9 (3/11)

557963

B

A