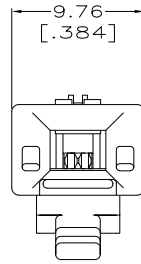
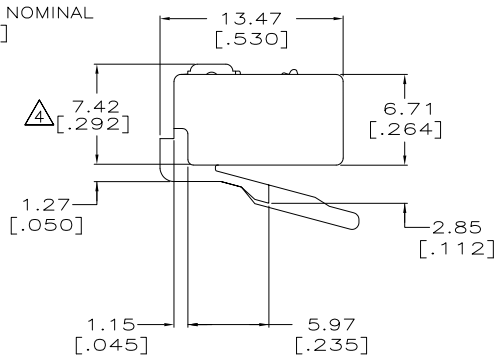
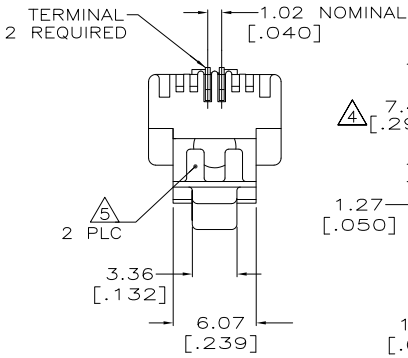
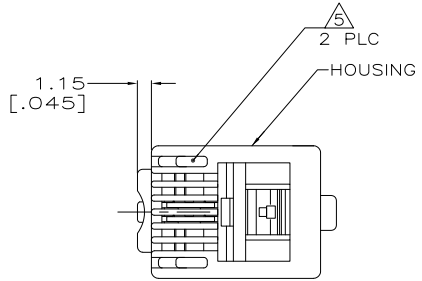


THIS DRAWING IS UNPUBLISHED. RELEASED FOR PUBLICATION  
 © COPYRIGHT BY TYCO ELECTRONICS CORPORATION. ALL INTERNATIONAL RIGHTS RESERVED.

LOC	DIST	REVISIONS		GG	EL	DATE	DWN	APPD
HM	00	P	LTR					
		N	SUPSD -1, ECO-06-026687			20FEB07	LH	CD
		P	REV ECO-11-001240			19JAN2011	LH	BM



1. ALL DIMENSIONS SHOWN ARE FOR REFERENCE ONLY UNLESS OTHERWISE SPECIFIED.

2. MATERIAL: HOUSING--POLYCARBONATE CLEAR.  
 TERMINAL-- 0.36[.014] THICK PHOS BRONZE PLATED WITH 1.27um[.000050] MINIMUM THICK GOLD IN LOCALIZED GOLD PLATE AREA, GOLD FLASH ON THE REMAINDER, OVER 2.54um [.000100] MINIMUM THICK NICKEL UNDERPLATE..

3. PLUG WILL EXCEPT 26 OR 28 AWG STRANDED OR TINSEL WIRE HAVING A MAXIMUM INSULATION OF Ø0.99[.039] AND A MAXIMUM OVAL CABLE JACKET OF 2.29x4.06 [.090x.160].

4. TERMINATED DIMENSION TO MEET FCC REQUIREMENTS .237±.005.

5. REELED PRODUCT ON STRIP DOES NOT HAVE VOID CORING ILLUSTRATED ON THIS DRAWING.

SUPSD BY 5-641333-2		1000 PER PACKAGE		5-641333-2	
		REELED 5		641333-1	
		DESCRIPTION		PART NO.	
THIS DRAWING IS A CONTROLLED DOCUMENT.		DWN L. HALL 20FEB2007		Tyco Electronics Corporation Harrisburg, PA 17105-3608	
DIMENSIONS: INCHES		CHK C. DOOLEY 20FEB2007		APPC C. DOOLEY 20FEB2007	
TO DIMENSIONS UNLESS OTHERWISE SPECIFIED.		NAME		MODULAR PLUG ASSEMBLY, 2 POSITION, LINE STRANDED WIRE	
PRODUCT SPEC 108-1163		APPLICATION SPEC 114-6016		SIZE CASE CODE DRAWING NO. RESTRICTED TO	
MATERIAL -		FINISH -		A2 00779 C=641333	
		CUSTOMER DRAWING		SCALE 5:1 SHEET 1 of 1 REV P	