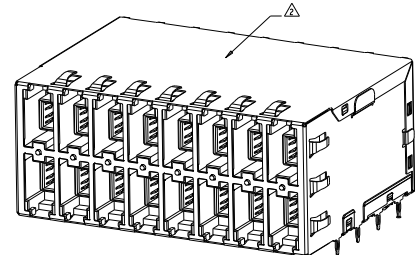


THIS DRAWING IS UNCONTROLLED WHEN USED FOR PURCHASING
 BY: TO CONNECTIVITY CORPORATION, ALL VENDOR REVIEWS

REVISED		REVISIONS			
REV	DATE	DESCRIPTION	BY	CHK	APP
A		CHANGE PART STATUS TO ACTIVE EC-1003034	20/04/2018	TR	KZ
B	02/01/2017		PP	LI	

- MATERIAL:**
 HOUSING: BLACK, THERMOPLASTIC, RATED UL 94V-0.
 SHIELD: COPPER ALLOY WITH NICKEL PLATING.
 CONTACTS: PHOSPHOR BRONZE.
 CONTACT PLATING: 0.05µm MIN GOLD OVER
 0.76µm MIN PALLADIUM-NICKEL, AT MATING
 INTERFACE CONTACT AREA.
- MAGNETICS:**
 - APPLICATION: 10/100/1000 BASE -T
 - IMPEDANCE: 100 OHMS
 - TRANSMIT OPEN CIRCUIT INDUCTANCE (OCL): 350µH (MIN)
 @100KHZ, 0.1 VRMS WITH 8mA DC BIAS
 FOR EACH TRANSFORMER OVER T=0°C-+70°C
 - TURNS RATIO (CHIP:CABLE): 1:1 ALL PAIRS
 PERFORMANCE:
 ALL PAIRS ARE BI-DIRECTIONAL

- LED IS DRIVEN WITH CURRENT AT APPROX 20 mA
 DOMINANT WAVELENGTH (λD): GREEN 573 nm TYP AT IF=20mA
 FORWARD VOLTAGE (VF): GREEN 2.0V TYP @ IF=20mA
 DOMINANT WAVELENGTH (λD): RED 624 nm TYP AT IF=20mA
 FORWARD VOLTAGE (VF): RED 2.0V TYP @ IF=20mA
 DOMINANT WAVELENGTH (λD): YELLOW 589 nm TYP AT IF=20mA
 FORWARD VOLTAGE (VF): YELLOW 2.0V TYP @ IF=20mA
- RECOMMENDED MIN PCB THICKNESS 1.5mm (.062").
- OPERATING TEMPERATURE: FROM 0°C TO 70°C.
- DATUM AND BASIC DIMENSION ESTABLISHED BY CUSTOMER.
- FOR HOLE SIZE AND PLATINGS, SEE SHEET 5.

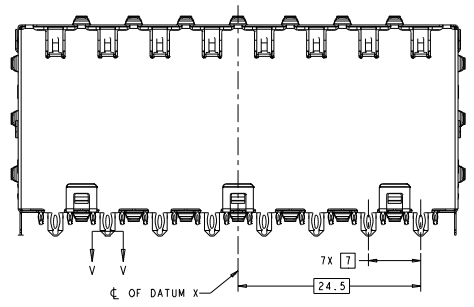
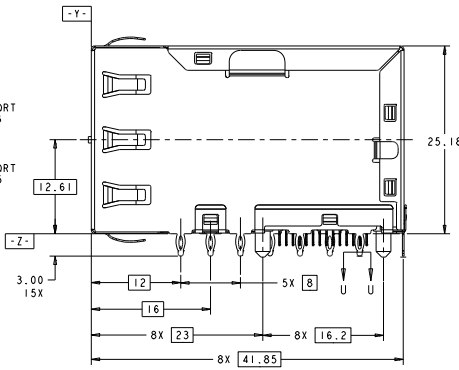
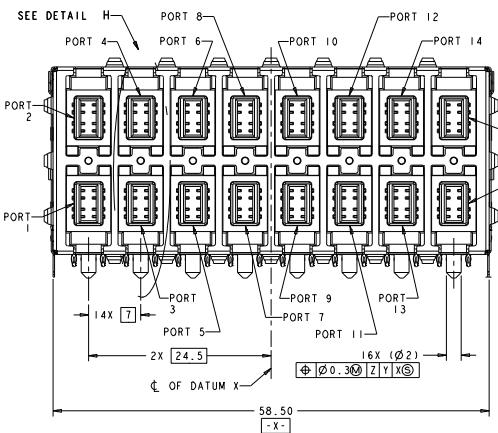
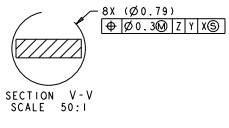
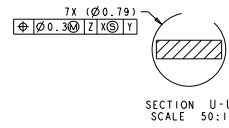


SCALE 3:1

FREQUENCY	INSERTION LOSS	RETURN LOSS	CROSSTALK ATTENUATION	COMMON MODE REJECTION RATIO
0.5MHz-1MHz	1.2dB (MAX)	18dB (MIN)	70dB (MIN)	30dB (MIN)
1MHz-40MHz	1.2dB (MAX)	18dB (MIN)	33-20X LOG (F/80)dB (MIN)	30dB (MIN)
40MHz-100MHz	1.2dB (MAX)	12-20X LOG (F/80)dB (MIN)	33-20X LOG (F/80)dB (MIN)	30dB (MIN)

ALL MAGNETIC ELECTRICAL CHARACTERISTICS RATED AT T=25°C

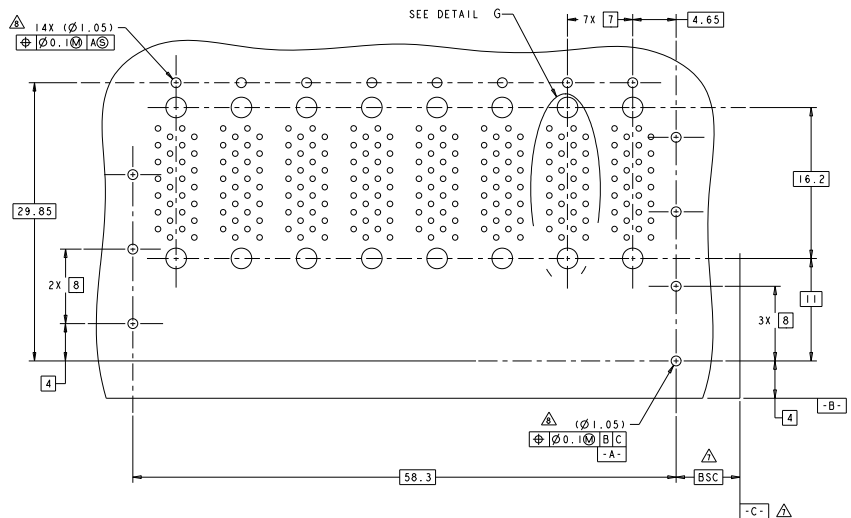
- ISOLATION VOLTAGE: 2250VDC(MAX) FOR 60 SECONDS WITH A RISE TIME OF 500V/SEC. WITH ALL PORTS CONNECTED.



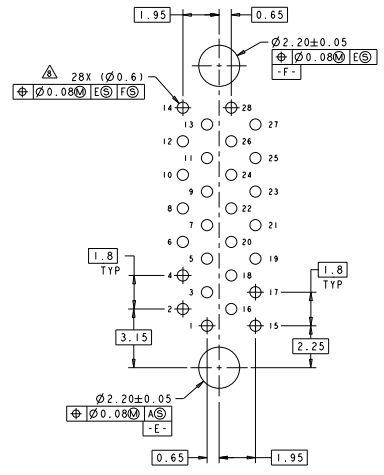
YELLOW/GREEN BI-COLORS		2007669-2	RECEPTACLE ASSEMBLY, 25G, RJ POINT FIVE, NON POE WITH MAGNETICS	
RED/GREEN BI-COLORS		2007669-1	REVISIONS	
LED COLORS		PART NUMBER	REV	DATE
			A	02/01/2017

IMP 485 REC 2007669

REV	DATE	DESCRIPTION	BY	CHK	APP
AG	00	SEE SHEET 1			



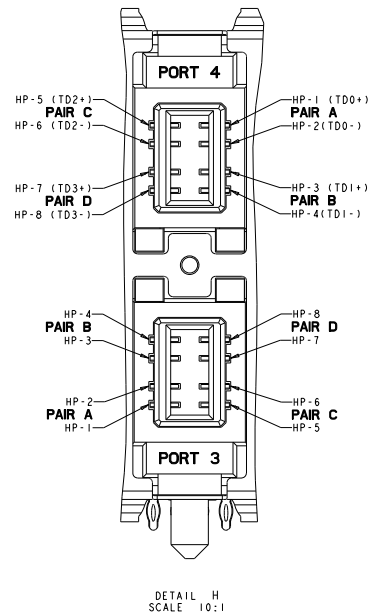
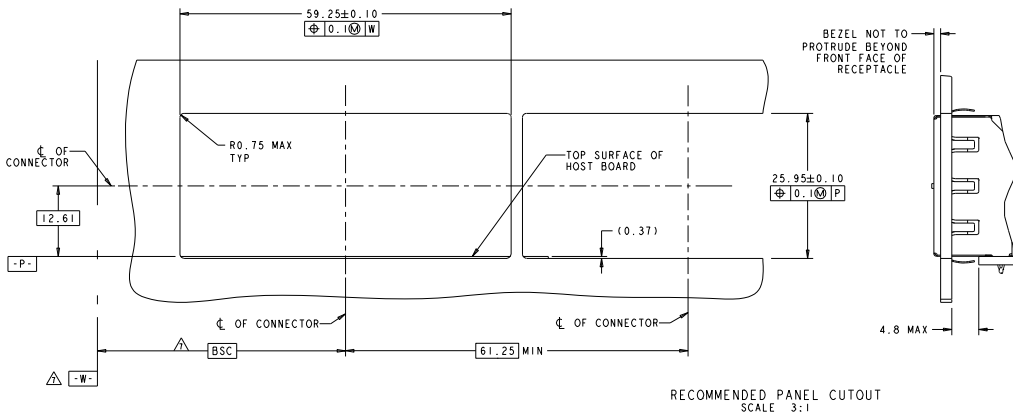
RECOMMENDED PCB LAYOUT
 SCALE 5:1



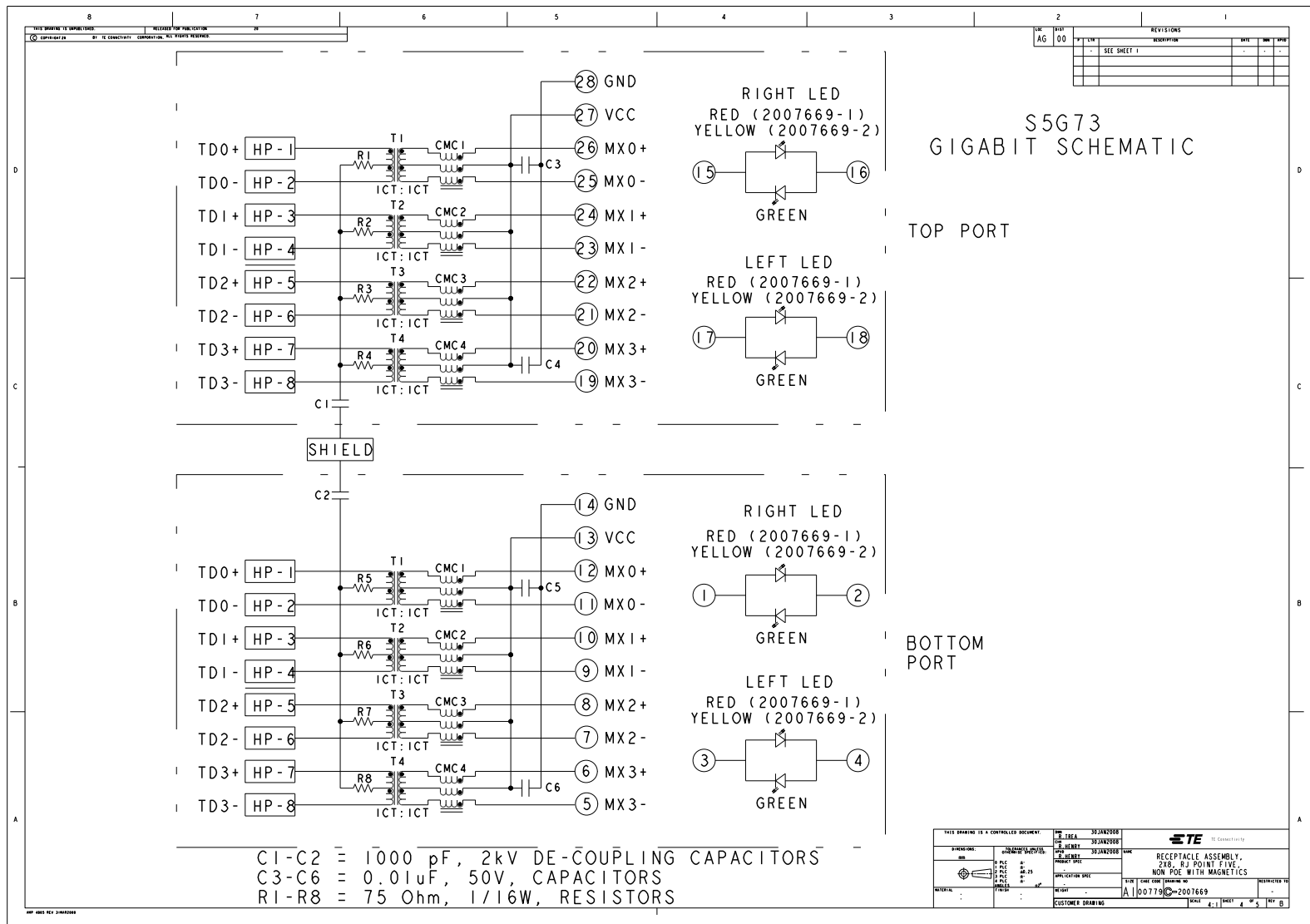
DETAIL G
 BOARD PIN IDENTIFIERS
 SCALE 10:1

THIS DRAWING IS A CONTROLLED DOCUMENT		REV. 00	DATE 03/20/2020	ETE Connectivity
DRAWN BY: [signature]		REV. 00	DATE 03/20/2020	
PART NO. 200773 REV. 00 DATE 03/20/2020 DRAWN BY: [signature] CHECKED BY: [signature]	PRODUCT NAME RECEPTACLE ASSEMBLY, 28P, RJ POINT FINE, NON POE WITH MAGNETICS		PART NO. 200773 REV. 00 DATE 03/20/2020	DRAWN BY: [signature] CHECKED BY: [signature]
CUSTOMER DRAWING		SCALE 4:1	SHEET 2	OF 5

REVISIONS			
REV	DATE	DESCRIPTION	BY
00		SEE SHEET 1	



THIS DRAWING IS A CONTROLLED DOCUMENT		REV. 001	DATE 03/20/2008	
REV. 001		DATE 03/20/2008	DATE 03/20/2008	
DESCRIPTION		RECEPTACLE ASSEMBLY, 250, RJ POINT FINE, NOM POE WITH MAGNETICS		
MFG		MFG		
MATERIAL		MATERIAL		
CUSTOMER DRAWING		A 100773 2007669		



REV. NO.		REVISIONS	
NO.	DATE	DESCRIPTION	BY
00		SEE SHEET 1	

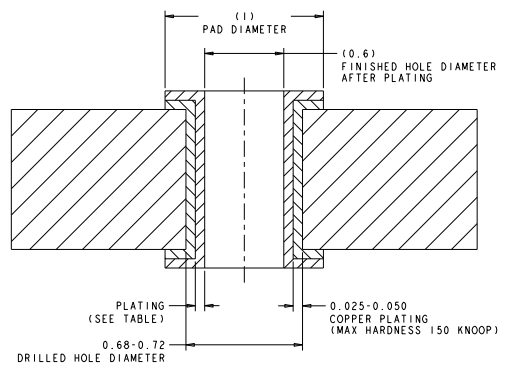
**S5G73
GIGABIT SCHEMATIC**

TOP PORT

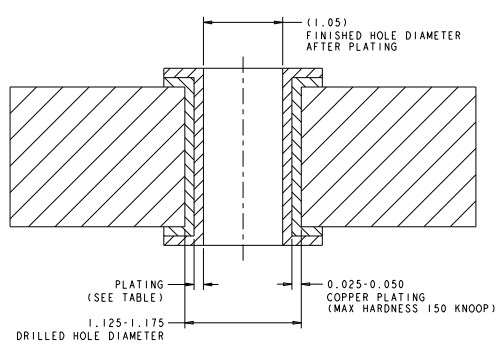
BOTTOM PORT

THIS DRAWING IS A CONTROLLED DOCUMENT		REV. NO.	00	DATE	30 JAN 2008
DRAWN BY		DESIGNED BY	30 JAN 2008		
CHECKED BY		APPROVED BY			
DATE		RECEPTACLE ASSEMBLY 25G RJ 45 PORT FINE NON POE WITH MAGNETICS			
PART NUMBER		A100773-2007669			
CUSTOMER DRAWING					

REVISIONS			
REV	DATE	DESCRIPTION	BY
00	AG	SEE SHEET 1	



RECOMMENDED HOLE DIMENSIONS FOR SIGNAL CONTACTS



RECOMMENDED HOLE DIMENSIONS FOR SHIELD PINS

THICKNESS	PLATING
0.004-0.010	HOT AIR SOLDER LEVELING (HASL) TIN-LEAD (Sn Pb)
0.0005-0.001	IMMERSION TIN (Sn)
0.0002-0.0005	ORGANIC SOLDERABILITY PRESERVATIVE (OSP)
0.0001-0.0005 Au, 0.004-0.0076 Ni	IMMERSION GOLD (Au) OVER NICKEL (Ni) (ENIG)
0.010-0.025	TIN LEAD PLATING (Sn Pb)
0.0001-0.00015	IMMERSION SILVER (Ag)

THIS DRAWING IS A CONTROLLED DOCUMENT		REV. 001	30JAN2008	
REV. 001		30JAN2008	30JAN2008	
DIMENSIONS UNLESS OTHERWISE SPECIFIED ARE IN MILLIMETERS DECIMALS ARE TO 0.025 FRACTIONS ARE TO 1/32	DATE OF ISSUE DATE OF REVISION DATE OF CANCELLATION DATE OF WITHDRAWAL	TITLE RECEPTACLE ASSEMBLY, 250, RJ POINT FINE, NON POE WITH MAGNETICS	PART OR CODE 100773	DRAWN BY 2007669
CUSTOMER DRAWING		SCALE 1:1	SHEET 5	OF 5