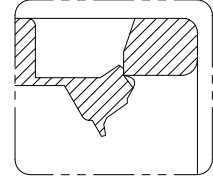
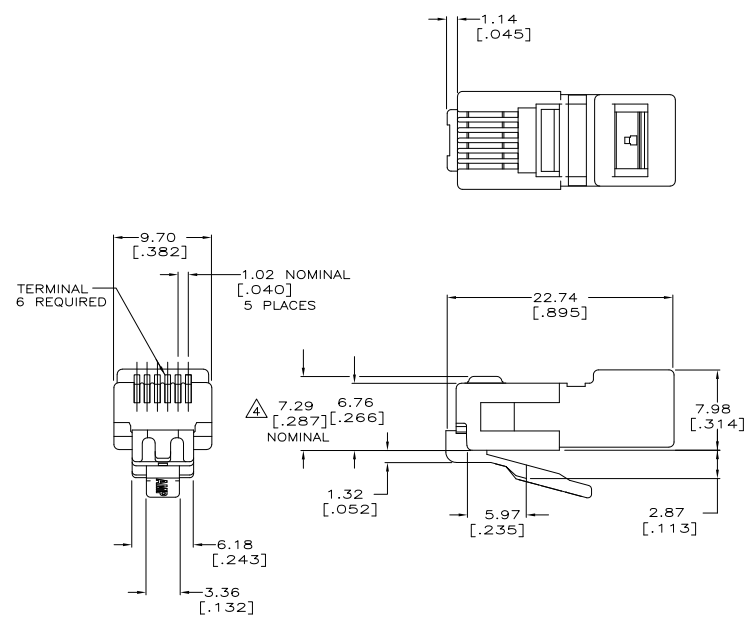


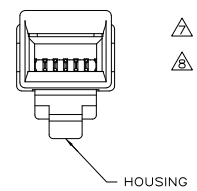
THIS DRAWING IS UNPUBLISHED. RELEASED FOR PUBLICATION
 © COPYRIGHT BY TYCO ELECTRONICS CORPORATION. ALL RIGHTS RESERVED.

| LIC | | DST | | REVISIONS | | | |
|-----|------|-----|-----|-------------------|---------|----|-----|
| REV | DATE | BY | CHK | DESCRIPTION | DATE | BY | APP |
| J | | | | REV ECD-08-020668 | 27AUG08 | GG | BM |



DETAIL A
SCALE 10:1

- ⚠ MATERIAL: HOUSING—POLYCARBONATE, CLEAR
 TERMINAL—.014 THICK PHOSPHOR BRONZE, PLATED WITH 1.27μm [.000050] MINIMUM THICK GOLD IN LOCALIZED GOLD PLATE AREA, GOLD FLASH OVER THE REMAINDER, OVER 2.54μm [.000100] MINIMUM THICK NICKEL UNDERPLATE.
- 2. ALL DIMENSIONS SHOWN ARE MAXIMUM UNLESS OTHERWISE SPECIFIED.
- 3. PLUG WILL ACCEPT 0.737[.029] – 0.99[.039] DIAMETER STRANDED WIRE, 26 OR 28 AWG WITH A 2.29 [.090] X 6.60 [.260] JACKET.
- ⚠ TERMINATED DIMENSION 6.15 [.242] MAXIMUM.
- ⚠ LATCH SHALL BE IN POSITION SHOWN IN DETAIL A AFTER CRIMPING.
- ⚠ 500 ASSEMBLIES PER PACKAGE.
- ⚠ 100 ASSEMBLIES PER PACKAGE.



| | |
|----------|------------|
| ⚠ | 5-555176-3 |
| ⚠ | 5-555176-2 |
| PACKAGED | PART NO |

| | | | | | |
|--|--|---------------|-----------|-----------|--|
| THIS DRAWING IS A CONTROLLED DOCUMENT. | | DM | L HALL | 13DEC2007 | Tyco Electronics Corporation Harrisburg, PA 17105-3608 |
| DIMENSIONS: mm [INCHES] | | DR | S MCNEILL | 13DEC2007 | |
| TOLERANCES UNLESS OTHERWISE SPECIFIED: | | AWO | S MCNEILL | 13DEC2007 | MODULAR PLUG ASSEMBLY, 6 POSITION, LONG BODY FLAT OVAL CABLE |
| 0 P/PC ± .- | | SIZE | A2 | 00779 | |
| 1 P/PC ± .- | | DATE | 00779 | 00779 | 555176 |
| 2 P/PC ± .- | | RESTRICTED TO | | | |
| 3 P/PC ± .- | | | | | |
| 4 P/PC ± .- | | | | | |
| 5 P/PC ± .- | | | | | |
| 6 P/PC ± .- | | | | | |
| 7 P/PC ± .- | | | | | |
| 8 P/PC ± .- | | | | | |
| 9 P/PC ± .- | | | | | |
| 10 P/PC ± .- | | | | | |
| MATERIAL: | | | | | |
| FINISH: | | | | | |
| WEIGHT: | | | | | |
| CUSTOMER DRAWING | | | | | |

AMP 1471-9 REV 31MAR2000