

4

3

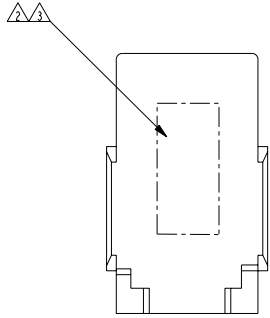
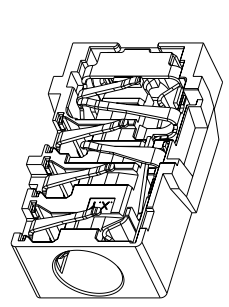
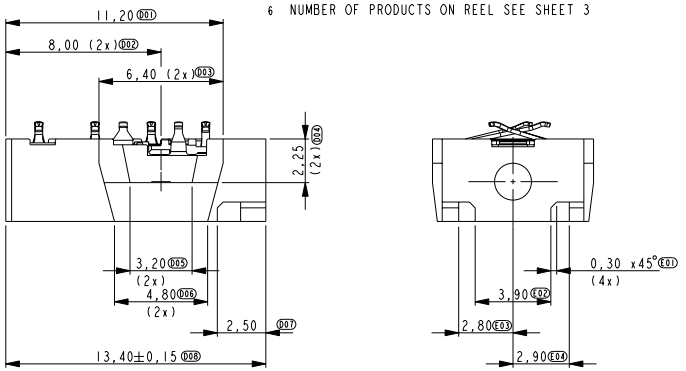
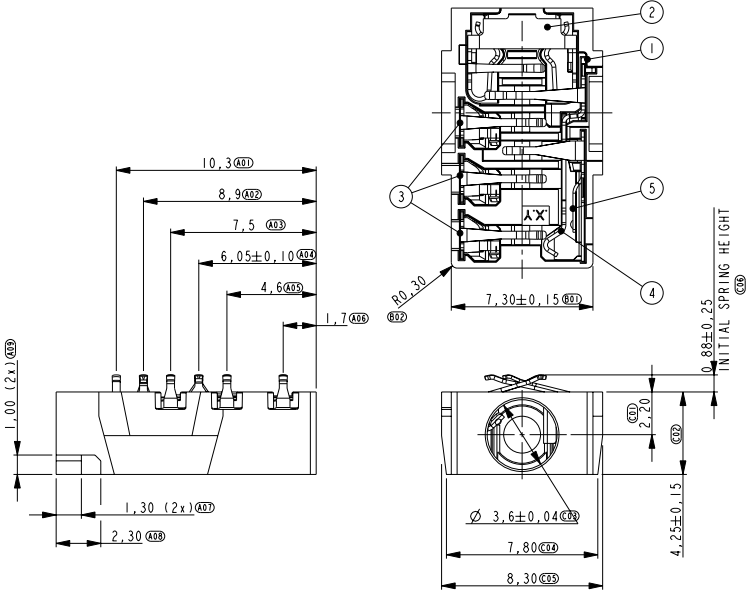
2

1

THIS DRAWING IS UNPUBLISHED. RELEASED FOR PUBLICATION  
 © COPYRIGHT - BY - ALL RIGHTS RESERVED.

LOC	DIST	REVISIONS				
P	LTR	DESCRIPTION	DATE	DWN	APVD	
A		ECR-11-003798	24FEB2011	MG	DH	
B		ECR-11-007037	12APR2011	MG	DH	
BI		ECR-11-013439	28JUN2011	JvH	DH	

NOTES:  
 1 PARTNUMBER 1551768-1 AS SHOWN  
 2 VERSION CODE V5  
 3 DATE CODE YYMMDD,SHIFT CODE M, PRODUCTION LINE ##  
 4 RECOMMENDED PWB LAYOUT SEE SHEET 2  
 5 PACKAGING IN EIA 481-D SEE SHEET 3  
 6 NUMBER OF PRODUCTS ON REEL SEE SHEET 3



ITEM NO.	DESCRIPTION	MATERIAL	FINISH
5	SWITCH CONTACT	Cu Alloy	1.3 µm Ni, flashgold over 0.5 µm Au selectively
4	GROUND CONTACT	Cu Alloy	1.3 µm Ni, flashgold over 0.5 µm Au selectively
3	RIGHT/MIC/GND2 CONTACT	Cu Alloy	1.3 µm Ni, flashgold over 0.5 µm Au selectively
2	LEFT CONTACT	Cu Alloy	2.0 µm Ni, flashgold over 0.5 µm Au selectively
1	HOUSING	PBT, 30% G.F.	

THIS DRAWING IS A CONTROLLED DOCUMENT.

DIMENSIONS: mm	TOLERANCES UNLESS OTHERWISE SPECIFIED: 0 PLC ± 1 PLC ±0.1 2 PLC ±0.05 3 PLC ±0.025 4 PLC ±0.01 ANGLES ±0.1	DWN J.van Hock 06AUG2010 CHK M.Gosselink 06AUG2010 APVD D.Halberstadt 06AUG2010	NAME <b>STE</b> TE Connectivity
MATERIAL -	FINISH -	PRODUCT SPEC 108-19402	3.5mm AV connector, compressive
		APPLICATION SPEC -	SIZE CAGE CODE DRAWING NO RESTRICTED TO A3 00779 C-1551768 -
		WEIGHT -	SCALE 5 SHEET 1 OF 3 REV BI
		CUSTOMER DRAWING	

4

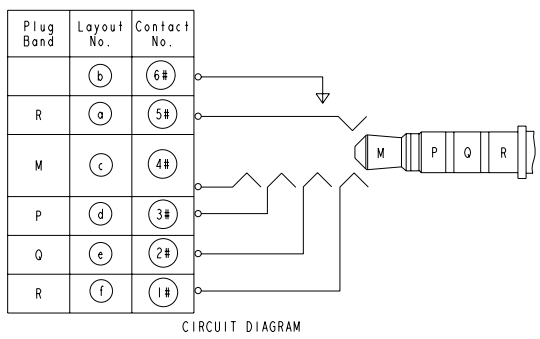
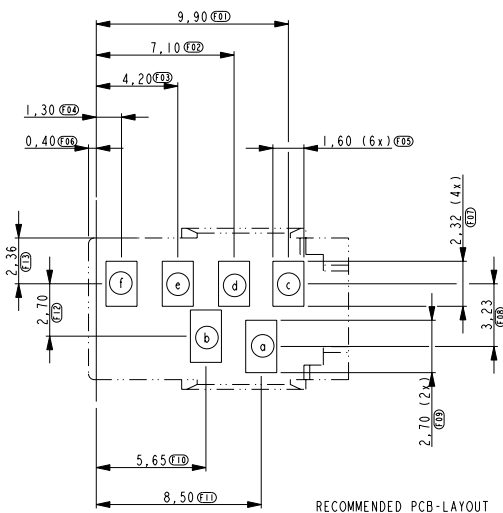
3

2

1

THIS DRAWING IS UNPUBLISHED. RELEASED FOR PUBLICATION  
 © COPYRIGHT - BY - ALL RIGHTS RESERVED.

LOC		DIST		REVISIONS				
P	LTR	DESCRIPTION	DATE	DWN	APVD			
-	-	SEE SHEET 1	-	-	-			



CIRCUIT DIAGRAM

THIS DRAWING IS A CONTROLLED DOCUMENT.		DWN 06AUG2010 J. van Hoek		TE Connectivity 3.5mm AV connector, compressive	
DIMENSIONS: mm		CHK 06AUG2010 M. Gosselink			
TOLERANCES UNLESS OTHERWISE SPECIFIED:		APVD 06AUG2010 D. Halberstadt		NAME	
0 PLC ± 1 PLC ±0.1 2 PLC ±0.05 3 PLC ±0.025 4 PLC ±0.01 ANGLES ±2		PRODUCT SPEC 108-19402		APPLICATION SPEC	
MATERIAL -		FINISH -		RESTRICTED TO	
		WEIGHT -		SIZE CAGE CODE DRAWING NO	
		CUSTOMER DRAWING		A3 00779 C-1551768	
		SCALE 5		SHEET 2 OF 3 REV B1	

4

3

2

1

THIS DRAWING IS UNPUBLISHED.

RELEASED FOR PUBLICATION

© COPYRIGHT - BY -

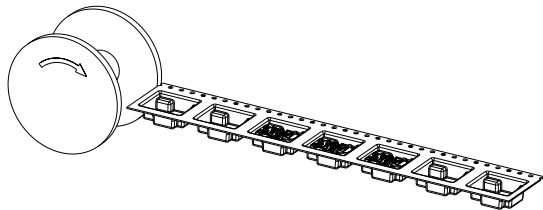
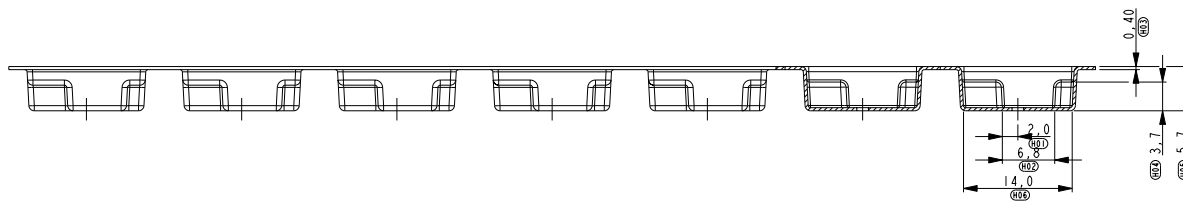
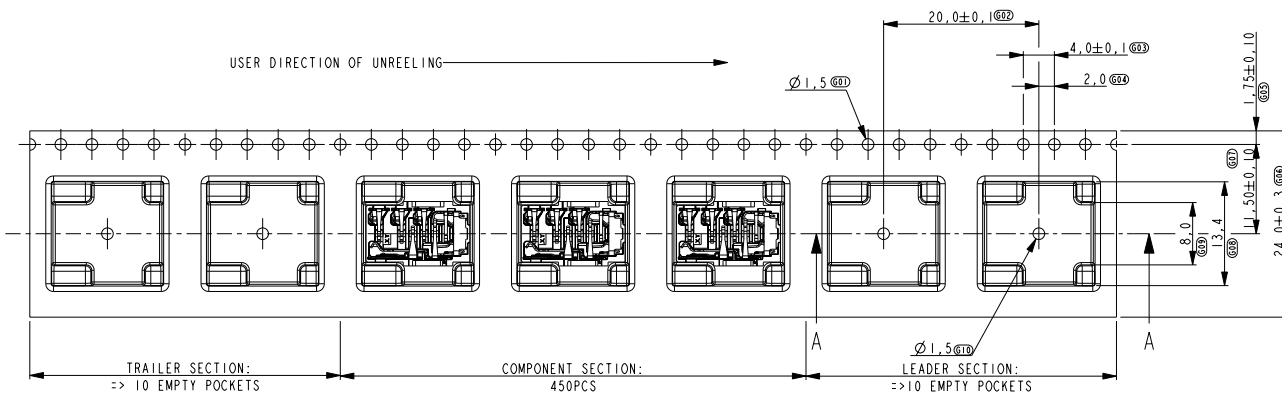
ALL RIGHTS RESERVED.

LOC	DIST
H	-

REVISIONS

P	LTR	DESCRIPTION	DATE	DWN	APVD
-	-	SEE SHEET 1	-	-	-

PACKAGING QUANTITY		
PCS/REEL	REEL/BOX	PCS/BOX
450	10	4500



THIS DRAWING IS A CONTROLLED DOCUMENT.

DIMENSIONS:	TOLERANCES UNLESS OTHERWISE SPECIFIED:
mm	
	0 PLC ±
	1 PLC ±0.1
	2 PLC ±0.05
	3 PLC ±0.025
	4 PLC ±0.01
	ANGLES ±2

DWN	06AUG2010
CHK	J. van Hock
APVD	M. Gosselink
	D. Halberstadt
PRODUCT SPEC	108-19402
APPLICATION SPEC	-
WEIGHT	-
MATERIAL	-
FINISH	-

NAME	
SIZE	A3
CAGE CODE	00779
DRAWING NO	C-1551768
RESTRICTED TO	-
CUSTOMER DRAWING	

**STE** TE Connectivity

3.5mm AV connector, compressive

SCALE	5	SHEET	3	OF	3	REV	B1
-------	---	-------	---	----	---	-----	----

1470-19 (3/11)