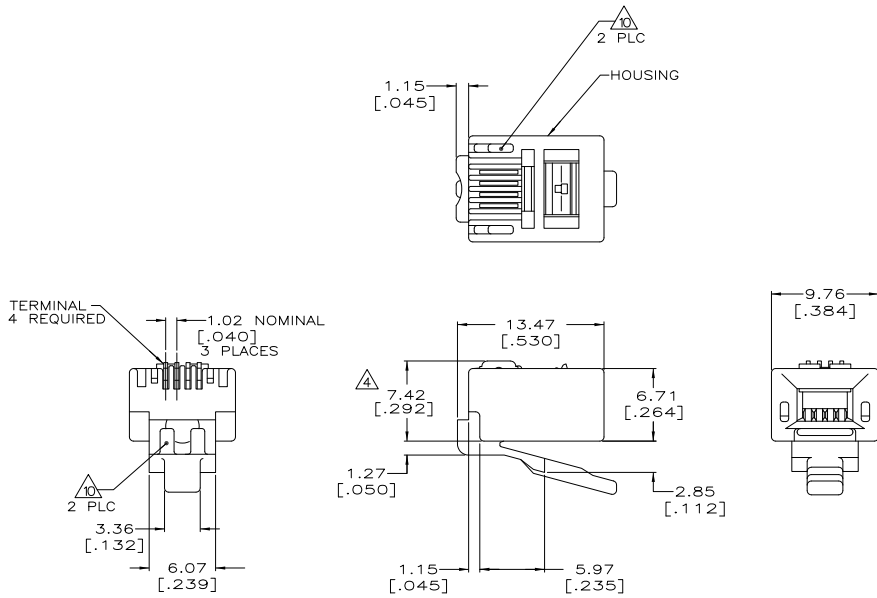


THIS DRAWING IS UNPUBLISHED. RELEASED FOR PUBLICATION. ALL RIGHTS RESERVED.

LOC	DIST	REVISIONS					
HM	00	F	LNK	DESCRIPTION	DATE	BY	APPD
		W1		REVISED PER ECO-11-005033	21MAR11	RK	HMR



- ⚠ DIMENSIONS ARE MAXIMUM UNLESS OTHERWISE SPECIFIED.
- ⚠ MATERIAL: HOUSING-POLYCARBONATE,CLEAR. TERMINAL-0.36[.014] THICK PHOSPHOR BRONZE PLATED WITH 1.27 $\mu$ m[.000050] THICK GOLD IN LOCALIZED GOLD PLATE AREA, GOLD FLASH OVER THE REMAINDER, OVER 2.54 $\mu$ m[.000100] THICK NICKEL UNDERPLATE.
- 3. PLUG WILL ACCEPT 26 OR 28 AWG STRANDED WIRE HAVING A MAXIMUM INSULATION DIAMETER OF 0.99[.039] AND A MAXIMUM DIAMETER ROUND CABLE JACKET OF 2.29 x 4.83[.090 x .190] MAXIMUM.
- ⚠ TERMINATED DIMENSION 6.15[.242] MAXIMUM.
- ⚠ 10 ASSEMBLIES PER PACKAGE.
- ⚠ 10,000 ASSEMBLIES PER PACKAGE.
- ⚠ 1000 ASSEMBLIES PER PACKAGE.
- ⚠ 100 ASSEMBLIES PER PACKAGE.
- ⚠ 25 ASSEMBLIES PER PACKAGE.
- ⚠ REELED PRODUCT ON STRIP DOES NOT HAVE VOID CORING ILLUSTRATED ON THIS DRAWING.

SUPERSEDED BY	REVISION	PART NO
5-641335-7	⚠	6-641335-3
	⚠	5-641335-7
	⚠	5-641335-3
	⚠	5-641335-2
	⚠	5-641335-1
<b>OBSOLETE</b>	⚠	641335-1
	⚠	641335-1

THIS DRAWING IS A CONTROLLED DOCUMENT.		DRW	9-1-93	TE Connectivity	
DIMENSIONS: mm [INCHES]		CHK	9-15-93	TE Connectivity	
TOLERANCES UNLESS OTHERWISE SPECIFIED:		APPD	9-20-93	NAME	
0 PLC	±	J. LLOYD		MODULAR PLUG ASSEMBLY, 4 POSITION, LINE	
1 PLC	±	108-1163		PRODUCT SPEC	
2 PLC	±	APPLICATION SPEC		SIZE CASE CODE DRAWING NO	
3 PLC	±	114-6016		A2 00779 C=641335	
4 PLC	±	HEIGHT		RESTRICTED TO	
ANGLES	±	CUSTOMER DRAWING		SCALE 4:1 SHEET 1 of 1 REV W1	
FINISH	±				