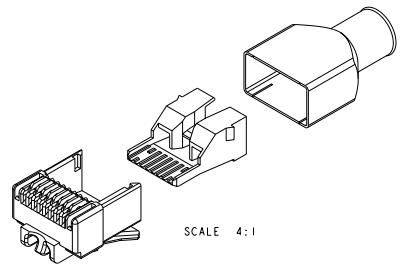
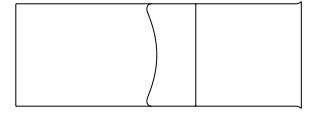
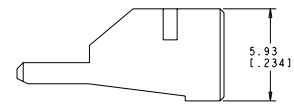
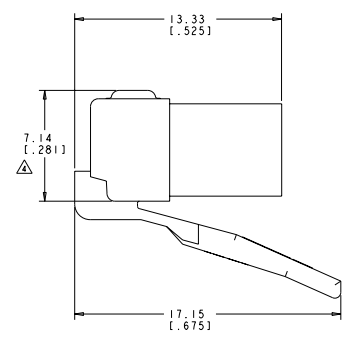
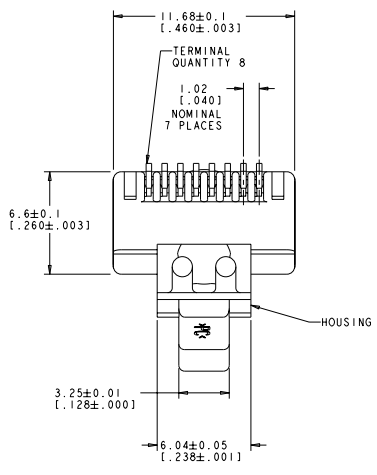
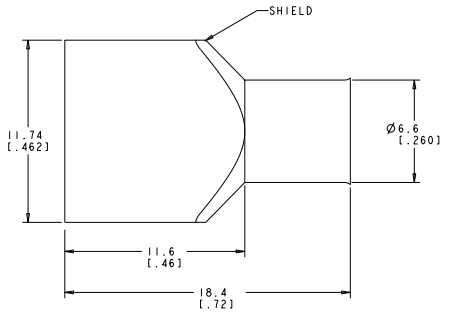
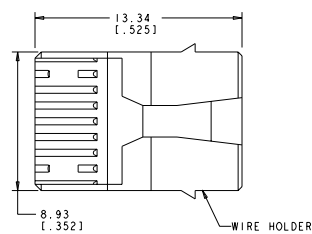
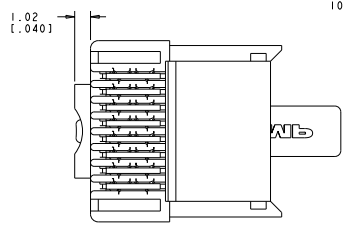


REV	DATE	DESCRIPTION	BY	CHK	APP
E1		REVISED PER ECO-11-005027			

- △ MATERIAL: HOUSING - 94V-0 RATED POLYCARBONATE CLEAR TERMINAL - 0.38 [.014] THICK PHOSPHOR BRONZE PLATED WITH 1.27 μm [.000050] MINIMUM THICK GOLD IN LOCALIZED AREA, GOLD FLASH OVER THE REMAINDER, OVER 2.54 μm [.001000] MINIMUM THICK NICKEL UNDERPLATE.
- △ WIRE HOLDER - POLYCARBONATE MAKROLON CLEAR.
- △ SHIELD - BRASS DIN 17860 - Cu2n33
- △ DIMENSIONS ARE NOMINAL UNLESS OTHERWISE SPECIFIED.
- 3. PLUG WILL ACCEPT A 23-24 AWG SOLID CONDUCTOR, PROVIDED THE INSULATION CONDUCTOR DIAMETER IS WITHIN .89 - 1.09 [.035 - .043]; WITH THE SUM OF DIAMETERS FOR ALL EIGHT CONDUCTORS WITHIN THE CABLE MUST NOT EXCEED 7.8MM [.31 IN]. CABLE JACKET DIAMETER OF 5.0 - 6.0MM [.20-.24 IN].
- △ TERMINATED DIMENSION 6.15 [.242] MAXIMUM.
- △ PACKAGE 1,000 ASSEMBLIES, 1,000 WIRE HOLDERS, AND 1,000 SHIELDS.
- △ PACKAGE 100 ASSEMBLIES, 100 WIRE HOLDERS, AND 100 SHIELDS.
- △ PACKAGE 25 ASSEMBLIES, 25 WIRE HOLDERS, AND 25 SHIELDS.
- △ PACKAGE 500 ASSEMBLIES, 500 WIRE HOLDERS, AND 500 SHIELDS.
- 9. MODULAR PLUG BOOT PART NUMBER T37893-X (X-DENOTES VARIOUS COLORS) MAY BE USED WITH KIT ASSEMBLY SHOWN.
- 10. UL RECOGNIZED: FILE NUMBER E81956.



SCALE 4:1



△	S-1375204-4
△	S-1375204-3
△	S-1375204-2
△	S-1375204-1
	PACKAGE PART NO.

THIS DRAWING IS A CONTROLLED DOCUMENT. DATE: 30 JUL 2007

DESIGNED BY: J. HALL, 24 AUG 2007
 DRAWN BY: W. SELPHUIS, 24 AUG 2007
 CHECKED BY: J. HALL, 108-1990
 APPROVED BY: J. HALL, 116-13835

STATE: CA CASE CODE: DRAWING NO: A 00779 ©-1375204
 CUSTOMER DRAWING

TE Connectivity
 KIT, 8 POSN, MOD PLUG, SOLID WIRE, CAT 6

REVISIONS TO: -
 SHEET: 1 OF 1