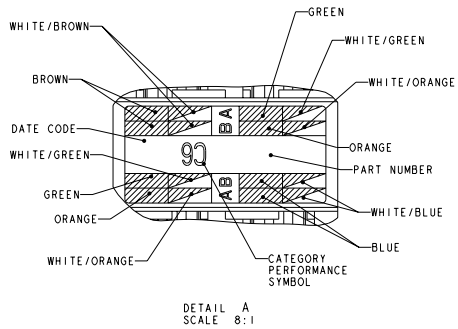
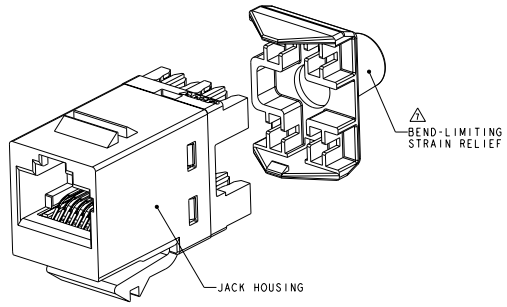
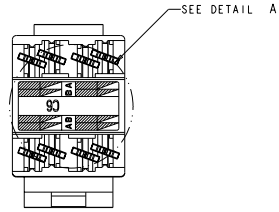
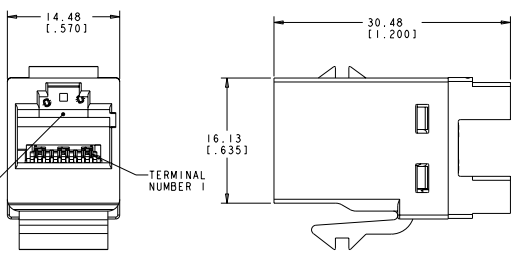


REV	DATE	DESCRIPTION	BY	CHK	APP
G	REV: ECO-11-010743		EMANUEL	JB	SA
H	REV: ECO-11-021924		EMANUEL	GG	SA



- △ MATERIAL: JACK HOUSING - POLYCARBONATE, 94V-0 RATED, 110 BLOCK AND BEND LIMITING STRAIN RELIEF - POLYCARBONATE, ARRAY TRAY - PBT POLYESTER.
- JACK CONTACTS ARRAY - BERYLLIUM COPPER, PLATED WITH 1.27µm (.00050) MINIMUM THICK GOLD IN LOCALIZED AREA AND 3.81µm (.000150) MINIMUM THICK MATTE TIN IN BOARD INTERFACE AREA OVER 1.27µm (.00050) MINIMUM THICK NICKEL UNDERPLATE.
- IDC TERMINALS - PHOSPHOROUS BRONZE, PLATED WITH 3.81µm (.00051) MINIMUM THICK MATTE TIN OVER 1.27µm (.00051) MINIMUM THICK NICKEL UNDERPLATE.
- 2. SL 110 JACK WILL TERMINATE 22-24 AWG SOLID CONDUCTORS, 1.27(.050) MAXIMUM INSULATION DIAMETER. JACK WILL ACCEPT CONDUCTORS UP TO 1.45 (.057) BUT REQUIRE THE USE OF A STRAIN RELIEF.
- △ CAVITY CONFORMS TO FCC RULES AND REGULATIONS PART 68 SUBPART F REQUIREMENTS.
- 4. MOUNTING PANEL THICKNESS 1.47 - 1.60 (.058 - .063).
- △ THESE TWO SUGGESTED CUTOUT OPENINGS ARE USED IN TANDEM WITH DUAL FRONT AND BACK CUTOUTS.
- △ ONE MODULAR JACK ASSEMBLY PER POLYBAG.
- △ USE IS OPTIONAL.
- △ JACKS MATE WITH SECURE RJ45 PLUGS ONLY.
- KEY COMBINATIONS 1 THROUGH 4, 8 AND 9 SHOWN ON SHEET 2. COMPONENTS REMOVED FROM RESPECTIVE VIEWS FOR CLARITY.
- △ REFER TO 408-8858 FOR TERMINATION INSTRUCTIONS USING SL SERIES TOOL TERMINATION. REFER TO 408-8417 FOR TERMINATION INSTRUCTIONS USING 110 PUNCH DOWN TOOL.



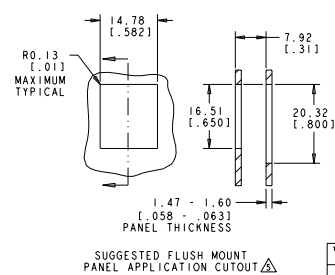
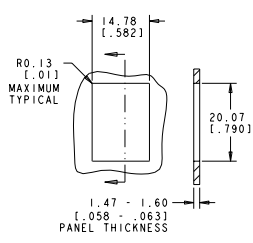
1479794-1 KEY 1 SHOWN

COLOR CODE	IDC TERMINAL	MODULAR JACK	
WHITE/BLUE	5	5	
BLUE	4	4	
WHITE/ORANGE	3	3	
ORANGE	2	2	
WHITE/GREEN	1	1	
GREEN	2	2	
WHITE/BROWN	7	7	
BROWN	8	8	

ELECTRICAL SCHEMATIC T568A

COLOR CODE	IDC TERMINAL	MODULAR JACK	
WHITE/BLUE	5	5	
BLUE	4	4	
WHITE/ORANGE	1	1	
ORANGE	2	2	
WHITE/GREEN	3	3	
GREEN	6	6	
WHITE/BROWN	7	7	
BROWN	8	8	

ELECTRICAL SCHEMATIC T568B



PACKAGE	KEY	COLOR	PART NUMBER
9	ORANGE		1479794-9
8	VIOLET		1479794-8
4	BLUE		1479794-4
3	GREEN		1479794-3
2	YELLOW		1479794-2
1	RED		1479794-1

THIS DRAWING IS A CONTROLLED DOCUMENT

DATE: 13JUL2005  
BY: G. SABELLI  
CHECKED: G. DOOLEY  
DATE: 13JUL2005  
BY: G. DOOLEY

ASSEMBLY, SL 110 JACK, CAT 6, SECURE RJ45

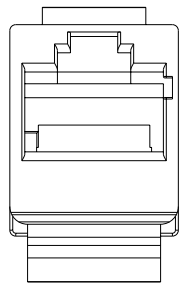
STATE CASE CODE (DRAWING NO): A | 00779 | 1479794

CUSTOMER DRAWING

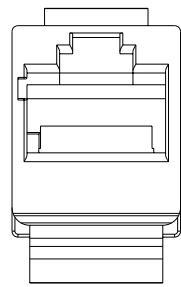
TE Connectivity

DATE DRAWING TO BE PUBLISHED: 00  
 RECEIVED FOR PUBLICATION: 00  
 ALL RIGHTS RESERVED

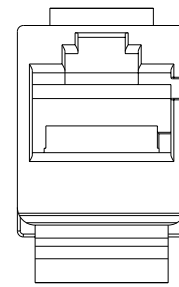
REV		DESCRIPTION		DATE	BY	CHK
00	HM	1	SEE SHEET 1			



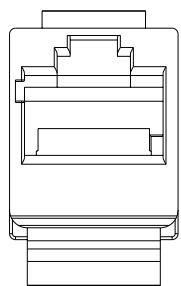
1479794-1 ▲  
KEY 1, RED



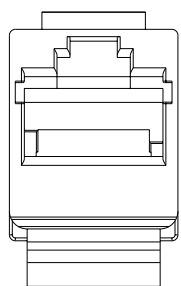
1479794-2 ▲  
KEY 2, YELLOW



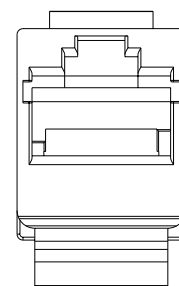
1479794-3 ▲  
KEY 3, GREEN



1479794-4 ▲  
KEY 4, BLUE



1479794-8 ▲  
KEY 8, VIOLET



1479794-9 ▲  
KEY 9, ORANGE

THIS DRAWING IS A CONTROLLED DOCUMENT.		02 GABRELLI 13JUL2005 02 DOOLEY 13JUL2005 02 DOOLEY 13JUL2005 02 DOOLEY 13JUL2005 02 DOOLEY 13JUL2005	<b>STE</b> TE Connectivity ASSEMBLY, SL 110 JACK, CAT 6, SECURE RJ45
DRAWING NO.: 1479794-1 UNIT: INCHES SCALE: 1:1 MATERIAL:	DESIGNED BY: GABRELLI CHECKED BY: DOOLEY APPROVED BY: DOOLEY DATE: 13JUL2005	SPECIFICATION SPEC: A STATE CASE CODE DRAWING NO: 00779 WEIGHT: 0.1479794 CUSTOMER DRAWING:	PART NUMBER: 1479794-1 QUANTITY: 1 UNIT WEIGHT: 0.1479794 TOTAL WEIGHT: 0.1479794 PART NUMBER: 1479794-1 QUANTITY: 1 UNIT WEIGHT: 0.1479794 TOTAL WEIGHT: 0.1479794