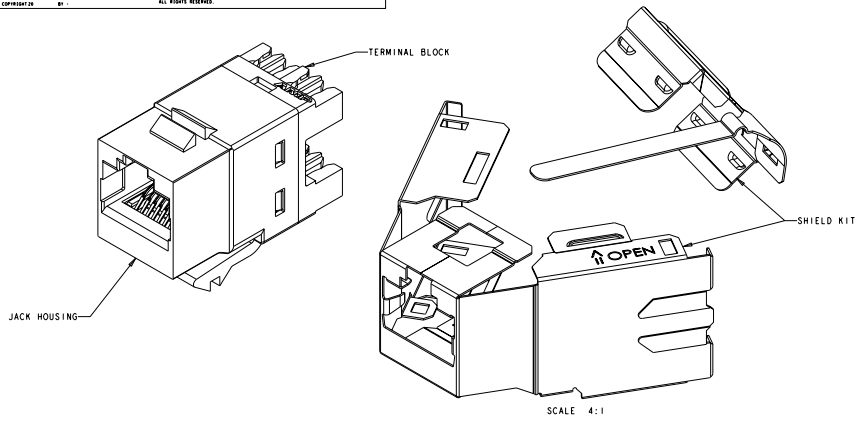
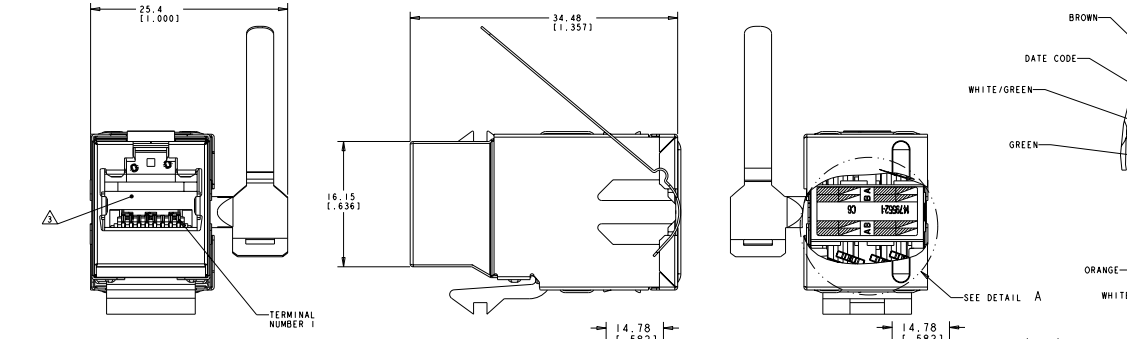


REV	DATE	DESCRIPTION	BY	CHK	APP
F	REV. ECO-09-001942		DRUMMOND	JB	SA
G	REV. ECO-11-015895		DRUMMOND	JB	SA
H	REV. ECO-11-021924		DRUMMOND	GG	SA

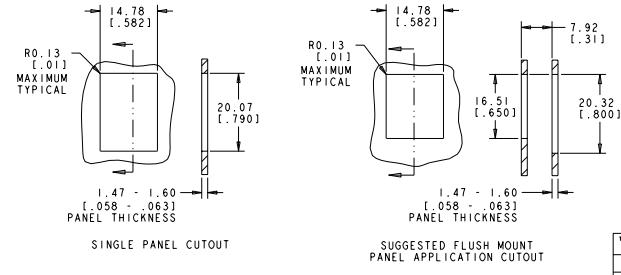


- △ MATERIAL: JACK HOUSING - POLYCARBONATE, 94V-0 RATED. 110 BLOCK - POLYCARBONATE. ARRAY TRAY - PBT POLYESTER. JACK CONTACTS ARRAY - BERYLLIUM COPPER, PLATED WITH 1.27µm (1.00005) MINIMUM THICK GOLD IN LOCALIZED AREA AND 3.81µm (1.00015) MINIMUM THICK MATTE TIN IN BOARD INTERFACE AREA OVER 1.27µm (1.00005) MINIMUM THICK NICKEL UNDERPLATE. IDC TERMINALS - PHOSPHOROUS BRONZE, PLATED WITH 3.81µm (1.00015) MINIMUM THICK MATTE TIN OVER 1.27µm (1.00005) MINIMUM THICK NICKEL UNDERPLATE. SHIELD: COPPER ZINC ALLOY 260 PREPLATED WITH BRIGHT NICKEL.
- 2. SL 110 JACK WILL TERMINATE 22-24 AWG SOLID AND 24-26 AWG STRANDED CONDUCTORS, 1.27 (1.05) MAXIMUM INSULATION DIAMETER. JACK WILL ACCEPT CONDUCTORS UP TO 1.45 (1.05) BUT REQUIRE THE USE OF A STRAIN RELIEF.
- △ CAVITY CONFORMS TO FCC RULES AND REGULATIONS PART 68 SUBPART F REQUIREMENTS.
- 4. MOUNTING PANEL THICKNESS 1.47 - 1.60 (1.058 - .063).
- △ THESE TWO SUGGESTED CUTOFF OPENINGS ARE USED IN TANDEM WITH DUAL FRONT AND BACK CUTOUPS.
- △ ONE MODULAR JACK ASSEMBLY AND ONE SHIELD KIT PER POLYBAG.
- 7. SHIELD SHIPPED NOT ASSEMBLED.
- △ REFER TO 408-8858 FOR TERMINATION INSTRUCTIONS USING SL SERIES TOOL TERMINATION. REFER TO 408-8602 FOR TERMINATION INSTRUCTIONS USING 110 PUNCH DOWN TOOL.



COLOR CODE	IDC TERMINAL	MODULAR JACK	COLOR CODE	IDC TERMINAL	MODULAR JACK
WHITE/BLUE	→	→	WHITE/BLUE	→	→
BLUE	→	→	BLUE	→	→
WHITE/ORANGE	→	→	WHITE/ORANGE	→	→
ORANGE	→	→	ORANGE	→	→
WHITE/GREEN	→	→	WHITE/GREEN	→	→
GREEN	→	→	GREEN	→	→
WHITE/BROWN	→	→	WHITE/BROWN	→	→
BROWN	→	→	BROWN	→	→

ELECTRICAL SCHEMATIC T568A



△	BLACK	1479552-1
△	PACKAGE HOUSING COLOR	PART NUMBER

THIS DRAWING IS A CONTROLLED DOCUMENT.

DESIGNED BY: G. GABRIELI - 097804	DATE: 09/04/04
DESIGNED BY: G. GABRIELI - 097804	DATE: 09/04/04
DATE: 09/04/04	DATE: 09/04/04
DATE: 09/04/04	DATE: 09/04/04

ITE TE Connectivity

ASSEMBLY, SL 110 JACK, SHIELDED, CATEGORY 6, SIDE ENTRY

STATE: CA CASE CODE: 1479552

00779 © 1479552

CUSTOMER DRAWING