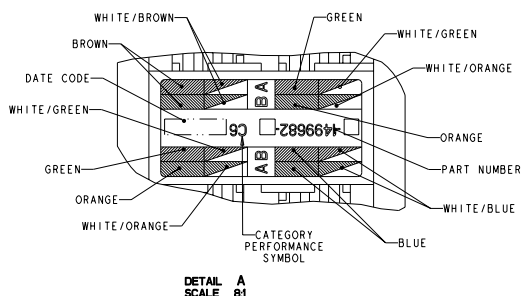
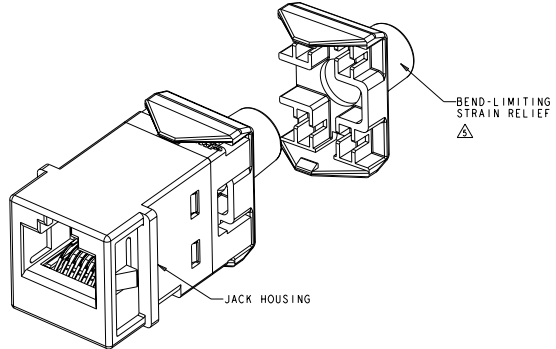
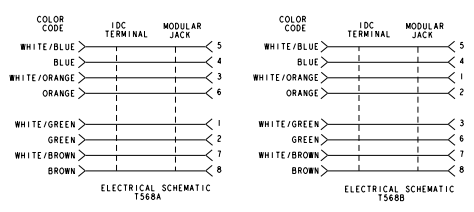
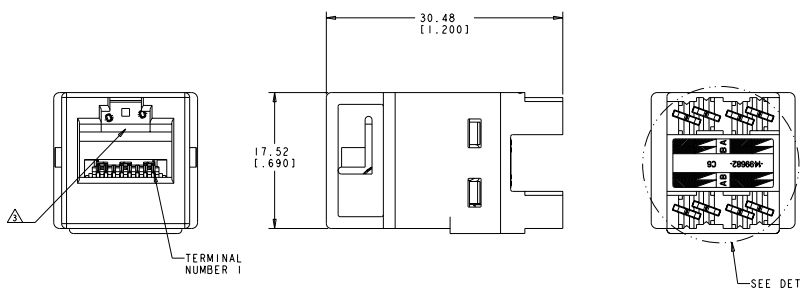


REV	DATE	DESCRIPTION	BY	CHK	APP
D	REV: ECO-11-024234				



DETAIL A
SCALE 8:1

- △ MATERIAL: JACK HOUSING - POLYCARBONATE, 94V-0 RATED, 110 BLOCK AND BEND LIMITING STRAIN RELIEF - POLYCARBONATE, ARRAY TRAY - PBT POLYESTER.
- JACK CONTACTS ARRAY - BERYLLIUM COPPER, PLATED WITH 1.27µm (.000050) MINIMUM THICK GOLD IN LOCALIZED AREA AND 3.81µm (.000150) MINIMUM THICK MATTE TIN IN BOARD INTERFACE AREA OVER 1.27µm (.000050) MINIMUM THICK NICKEL UNDERPLATE.
- IDC TERMINALS - PHOSPHOROUS BRONZE, PLATED WITH 3.81µm (.000150) MINIMUM THICK MATTE TIN OVER 1.27µm (.000050) MINIMUM THICK NICKEL UNDERPLATE.
- 2. KLS JACK WILL TERMINATE 22-24 AWG SOLID CONDUCTORS, 1.27(.050) MAXIMUM INSULATION DIAMETER. JACK WILL ACCEPT CONDUCTORS UP TO 1.45 (.057) BUT REQUIRE THE USE OF A STRAIN RELIEF.
- △ CAVITY CONFORMS TO FCC RULES AND REGULATIONS PART 68 SUBPART F REQUIREMENTS.
- △ ONE MODULAR JACK ASSEMBLY PER POLYBAG.
- △ USE IS OPTIONAL.
- △ REFER TO 408-8856 FOR TERMINATION INSTRUCTIONS USING SL SERIES TOOL TERMINATION. REFER TO 408-8417 FOR TERMINATION INSTRUCTIONS USING 110 PUNCH DOWN TOOL.



PACKAGE	HOUSING COLOR	PART NUMBER
	ELECTRIC IVORY	1499682-1
	VIOLET	1499682-0
	GREEN	1499682-9
	YELLOW	1499682-8
	RED	1499682-7
	BLUE	1499682-6
	ORANGE	1499682-5
	NEMA GRAY	1499682-4
	WHITE	1499682-3
	BLACK	1499682-2
	LIGHT ALMOND	1499682-1

THIS DRAWING IS A CONTROLLED DOCUMENT.

REV: 00 MICHAEL 20FEB2006 TE Connectivity

DATE: 02/28/2006 FILE: 20FEB2006 ASSEMBLY, CAT 6, UTP, KLS SERIES

SCALE CODE: DRAWING NO: 00779 PART NUMBER TO: 1499682

CUSTOMER DRAWING SHEET 6:1 OF 1