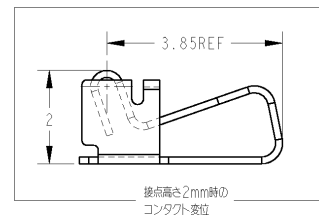
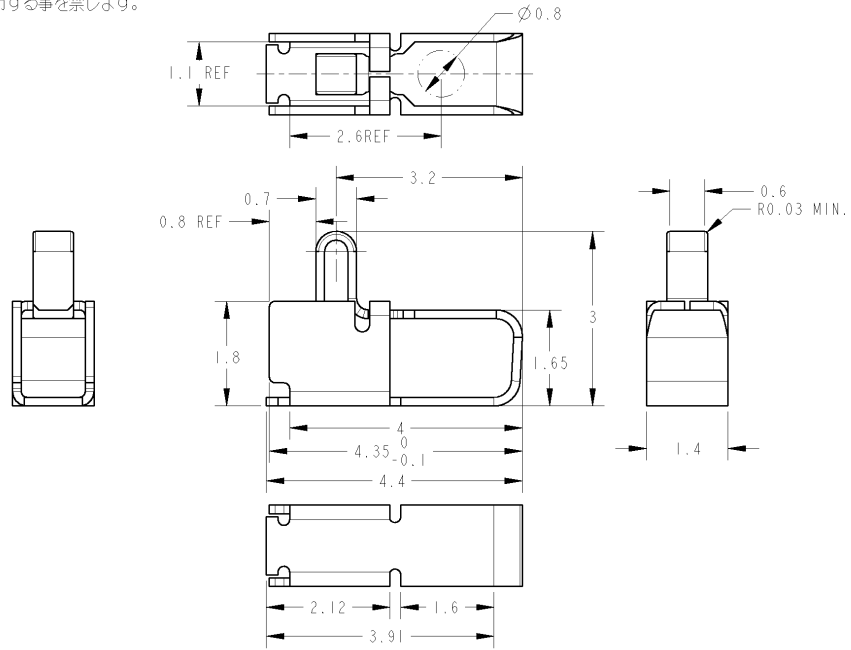


THIS DRAWING IS UNPUBLISHED. RELEASED FOR PUBLICATION 2006
 COPYRIGHT 2006 BY TYCO ELECTRONICS CORPORATION. ALL RIGHTS RESERVED.

本図面に記載された内容はタイコ エレクトロニクス アンパ(株)の所有する情報を開示しております。
 無断で複写・配布する事を禁じます。

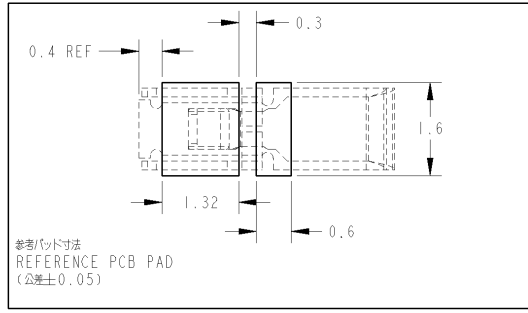
特許出願中

LOC	DIST	REVISIONS						
J	-	P	LTR	DESCRIPTION	ECN	DATE	DWN	APVD
		A2		REVISED		01FEB07	C.O	Y.N



-1; 本図
 -1; AS SHOWN

- ①めっき仕様
 全面Ni下地 : 0.8μm MIN
 コンタクトポイント : Au 0.25~0.5μm
 半田付けエリア : Au 0.05μm MIN
- 2.カットバリ : 0.05MAX
 その他 全周バリ : 0.03MAX
- ③材料 : 銅合金
 4 0.5mmストローク時に0.7N±0.2N
 5 1.0mmストローク時に1.1N±0.2N



<small>THIS DRAWING IS A CONTROLLED DOCUMENT FOR ISO 9000 COMPLIANCE. IF IT IS SUBJECT TO CHANGE AND THE CONTROLLING ENGINEERING ORGANIZATION SHOULD BE CONTACTED FOR THE LATEST REVISION.</small>		OWN 19APR2006 C. OHASHI CHK K. KODAIRA 19APR2006 APVD K. KODAIRA 19APR2006	tyco Electronics Tyco Electronics AMP K.K. Kawasaki, Japan
DIMENSIONS: 単位: 英 mm	TOLERANCES UNLESS OTHERWISE SPECIFIED: 一般部 ±0.2 0-PLC ±0.5 1-PLC ±0.5 2-PLC ±0.13 3-PLC ±0.013 4-PLC ±0.001 ANGLES ±0°	NAME 名称 SHIELD FINGER 3014 LOW FORCE ANTI OVER STRESS TYPE EMBOSS PACKING	RESTRICTED TO -
MATERIAL 材質 SEE NOTE	FINISH 仕上げ SEE NOTE	PRODUCT SPEC 製品規格 108-78364	SIZE 寸法 A3
CUSTOMER DRAWING		WEIGHT 重量 0.01g	DRAWING NO 図番 00779 C-1903646
		SCALE 寸法 15:1	SHEET 1 OF 2 REV A2

4

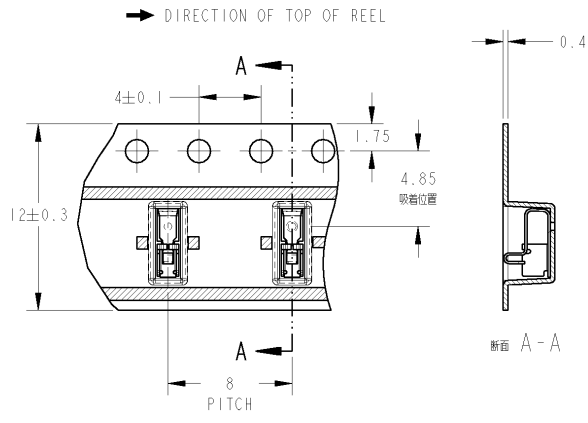
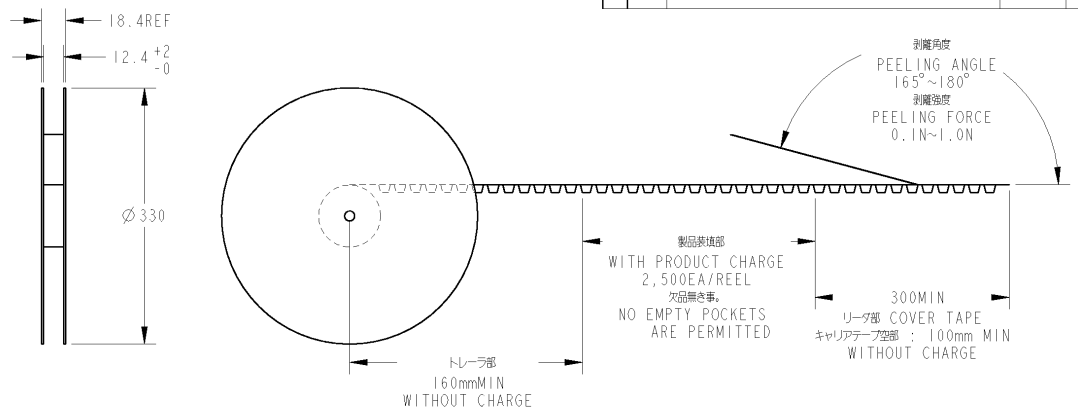
3

2

1

THIS DRAWING IS UNPUBLISHED. RELEASED FOR PUBLICATION 2006
 © COPYRIGHT 2006 BY TYCO ELECTRONICS CORPORATION. ALL RIGHTS RESERVED.

LOC	DIST	REVISIONS			
P	LTR	DESCRIPTION	DATE	DWN	APVD
-	-	SEE SHEET 1	-	-	-



- 1; AS SHOWN
 - 1; 本図

<small>THIS DRAWING IS A CONTROLLED DOCUMENT FOR TYCO ELECTRONICS CORPORATION. IT IS SUBJECT TO CHANGE AND THE CONTROLLING ENGINEERING DEPARTMENT SHOULD BE CONTACTED FOR THE LATEST REVISION.</small>		DWN 19APR2006 C. OHASHI CHK K. KODAIRA 19APR2006 APVD K. KODAIRA 19APR2006	tyco Electronics Tyco Electronics AMP K.K. Kawasaki, Japan
DIMENSIONS: mm 	TOLERANCES UNLESS OTHERWISE SPECIFIED: 0 PLC ± 1 PLC ±0.5 2 PLC ±0.13 3 PLC ±0.013 4 PLC ±0.0001 ANGLES ±	NAME SHIELD FINGER 3014 LOW FORCE ANTI OVER STRESS TYPE EMBOSS PACKING	RESTRICTED TO -
MATERIAL SEE NOTE FINISH SEE NOTE	WEIGHT 0.01g CUSTOMER DRAWING	SIZE A3 CAGE CODE 00779 DRAWING NO. C-1903646	SCALE 1.5:1 SHEET 2 OF 2 REV A2