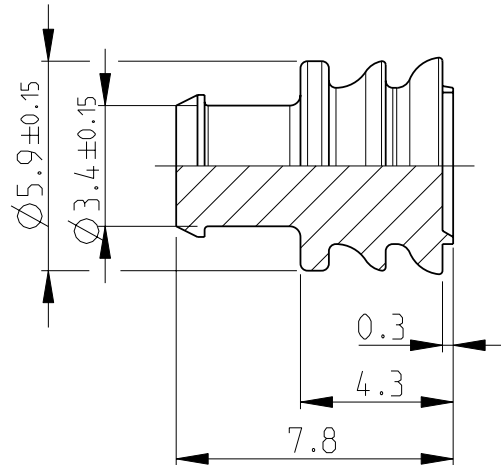
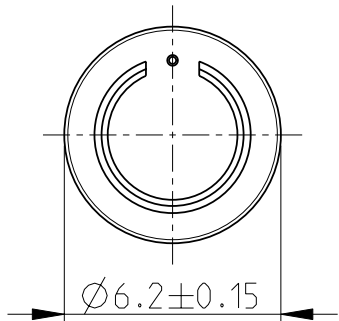


LOC	DIST	REVISIONS				
P	LTR	DESCRIPTION	DATE	DWN	APVD	
	L8	REVISED PER ECO-11-005150	31MAR2011	RK	HMR	



Keine Luftschluesse zulaessig
NO AIR BUBBLES PERMITTED

PART NO.	REV.	COLOUR	MATERIAL
828922-2	A	GREEN	SILICON MVQ 50
828922-1	L	NATURAL	SILICON MVQ 50

THIS DRAWING IS UNPUBLISHED.

ALL RIGHTS RESERVED.

COPYRIGHT-

DIMENSIONS: mm	DWN Gaupp.P.	17APR1997	MATERIAL	SEE TABLE	FINISH	-
	CHK Kuempel.D.	21APR1997				
TOLERANCES UNLESS OTHERWISE SPECIFIED: DIN 16901-160	APVD	-				
0 PLC ±	PRODUCT SPEC	108-18263-1	NAME CAVITY PLUG DIA. 2,5mm SYSTEM DIA. 5.4mm CAVITY			
1 PLC ±	APPLICATION SPEC	-	SIZE	CAGE CODE	DRAWING NO	RESTRICTED TO
2 PLC ±	WEIGHT	-	A 4	00779	©=828922	-
3 PLC ±	CUSTOMER DRAWING		SCALE	5:1	SHEET	1 OF 1
4 PLC ±						REV L8
ANGLES ±°						