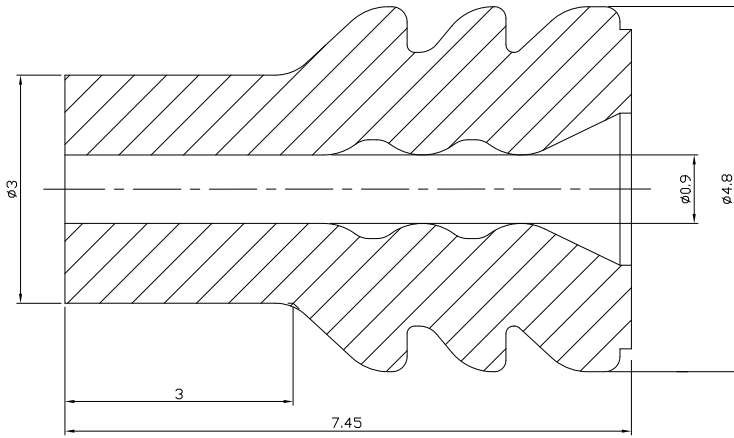
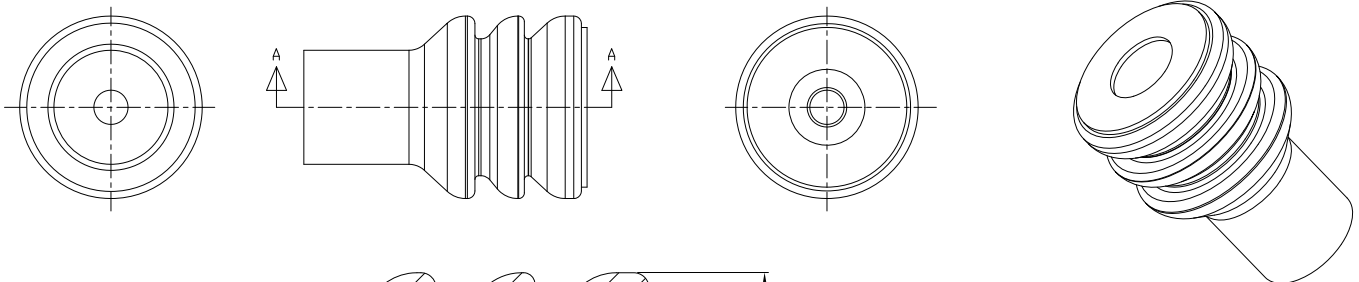


THIS DRAWING IS UNPUBLISHED. RELEASED FOR PUBLICATION  
 © COPYRIGHT BY TYCO ELECTRONICS CORPORATION. ALL RIGHTS RESERVED.

LOC	DIST	REVISIONS					
DS	-	P	LTR	DESCRIPTION	DATE	DWN	APVD
		E		REVISED (ECR-08-012740)	19.MAY/08	YS	JK
		F		REVISED (ECR-08-030603)	05.NOV/08	KT	HG



SECTION A-A  
(SCALE 20:1)

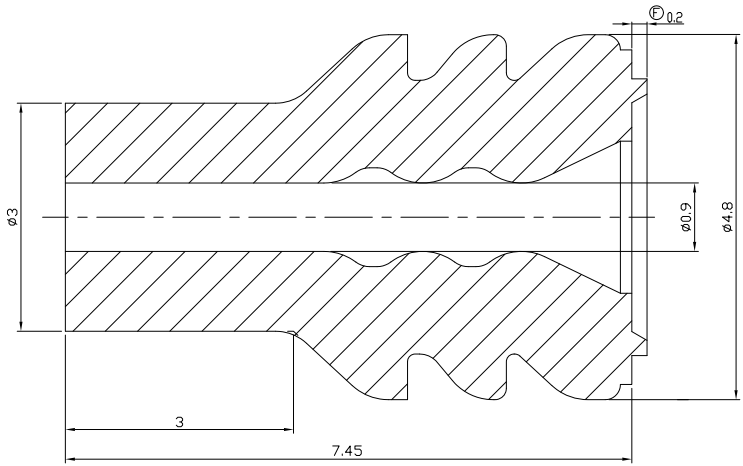
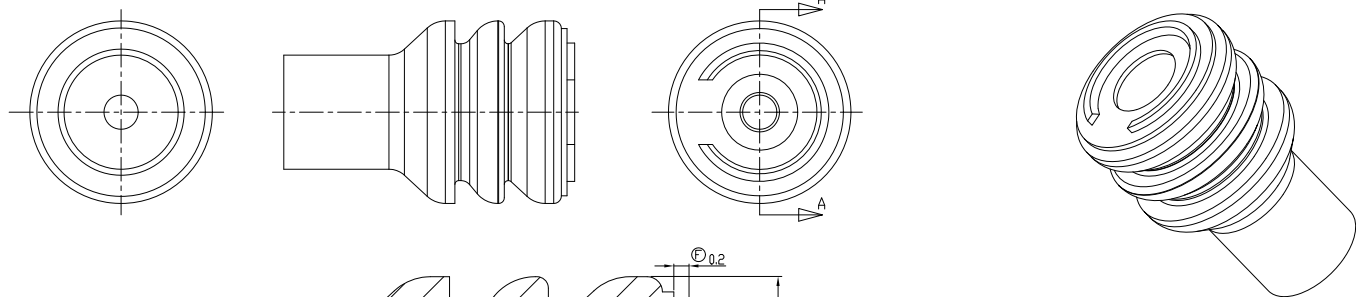
BLUE	SILICONE	WIRE SEAL FOR EJ MK-II(+)	368889-1	50° ± 5°
COLOR	MATERIAL	DESCRIPTION	P/N	HARDNESS

<small>THIS DRAWING IS A CONTROLLED DOCUMENT FOR TYCO ELECTRONICS CORPORATION          IF BE SUBJECT TO CHANGE AND THE CONTROLLING ENGINEERING ORGANIZATION          SHOULD BE CONTACTED FOR THE LATEST REVISION.</small>	
DIMENSIONS: MM	TOLERANCES UNLESS OTHERWISE SPECIFIED: 0 <XX<10 ± 0.2 10<XX<30 ± 0.25 30<XX ± 0.3 ANGLES ± 3°
MATERIAL SEE TABLE	FINISH

DWN KT JUNG	AMP KOREA. Kyungsan, Korea		
CHK JW JUNG	NAME		
APVD HS CHD	WIRE SEAL FOR EJ MK-II(+) (INSULATION DIA: $\phi 1.2-1.7\text{mm}$ )		
PRODUCT SPEC	SIZE	CAGE CODE	DRAWING NO
APPLICATION SPEC	A3	00779	C=368889
WEIGHT 0.09 g	CUSTOMER DRAWING		RESTRICTED TO -
SCALE 10/1		SHEET 1	OF 2
		REV F	

THIS DRAWING IS UNPUBLISHED. RELEASED FOR PUBLICATION  
 © COPYRIGHT BY TYCO ELECTRONICS CORPORATION. ALL RIGHTS RESERVED.

LOC	DIST	REVISIONS					
DS	-	P	LTR	DESCRIPTION	DATE	DWN	APVD
				SEE SHEET 1 of 2			



SECTION A-A  
(SCALE 20:1)

THIS DRAWING IS A CONTROLLED DOCUMENT FOR TYCO ELECTRONICS CORPORATION  
 IF BE SUBJECT TO CHANGE AND THE CONTROLLING ENGINEERING ORGANIZATION  
 SHOULD BE CONTACTED FOR THE LATEST REVISION

DIMENSIONS: MM	TOLERANCES UNLESS OTHERWISE SPECIFIED:
	0 <XX<10 ± 0.2
	10<XX<30 ± 0.25
	30<XX ± 0.3
	ANGLES ± 3°
MATERIAL SEE TABLE	FINISH

BLUE	LSR	WIRE SEAL FOR EJ MK-II(+)	1-368889-1	50° ± 5°
COLOR	MATERIAL	DESCRIPTION	P/N	HARDNESS
DWN		AMP KOREA, Kyungsan, Korea		
CHK		Tyco Electronics		
APVD		NAME		
PRODUCT SPEC		WIRE SEAL FOR EJ MK-II(+) (INSULATION DIA: $\phi 1.2-1.7\text{mm}$ )		
APPLICATION SPEC		SIZE	CAGE CODE	DRAWING NO
WEIGHT		A3	00779	C=368889
CUSTOMER DRAWING		SCALE	10/1	SHEET 2 OF 2
		REV	F	