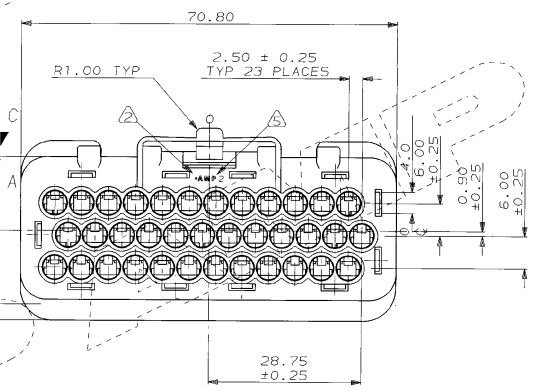
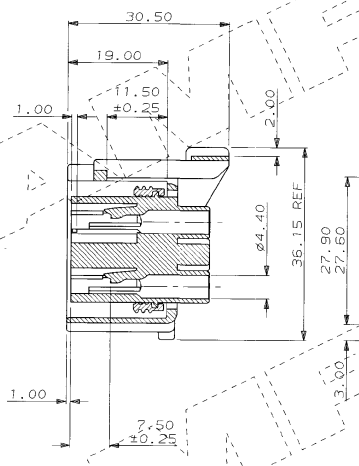
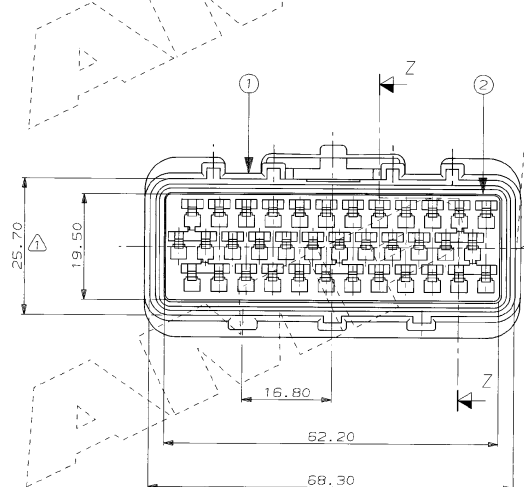
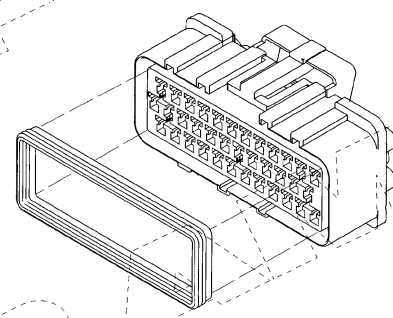
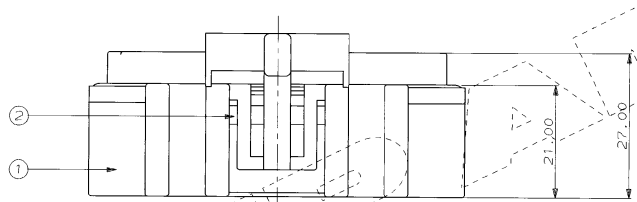


C.A.D. FILE CODE  
S.C346189.B

DO NOT SCALE DIMENSIONS IN MM.



NOTES:  
1. THIS DIM. TO APPLY AT THE CORNERS OF THE SHROUD. AT THE POINT OF MAXIMUM BOW, THIS DIM. IS TO BE 23.60 MIN. THIS IS A CONTROL DIM. MONITORED AT AMP.  
2. AMP STAMP, DOT CODE & IMPRESSION NUMBER

ITEM NO.	MATERIAL	DESCRIPTION	QTY. PER ASSY.	ASSEMBLY PART NO.
2	SILICONE RUBBER	PERIPHERAL SEAL	1	346189
1	NYLON 66	36 WAY REC. HSG.	1	

CUSTOMER DWG FOR REFERENCE ONLY				TOLERANCES UNLESS OTHERWISE STATED: DEC ± 0.5 ANGLES ± 1°		DR. M. COLLINS CH. R. J. S. <b>AMP</b> of Great Britain Ltd.		RELEASED FOR PUBLICATION 23-5-97 APP. J. PALMER TERMINAL HOUSE STANNORS MIDDXX.	
BLACK	RED	REV	APPROVED	ECN	DATE	SCALE	LOG	SIZE	DWG. NO.
-	-	-	-	-	-	2/1	E	A2	C346189
NAME: 36 WAY RECEPTACLE HOUSING ASSY. FOR ECONOSEAL 3 (WIRE TO BOARD)								REV	SHEET
								B	1/1

FORM 1 22/05/85