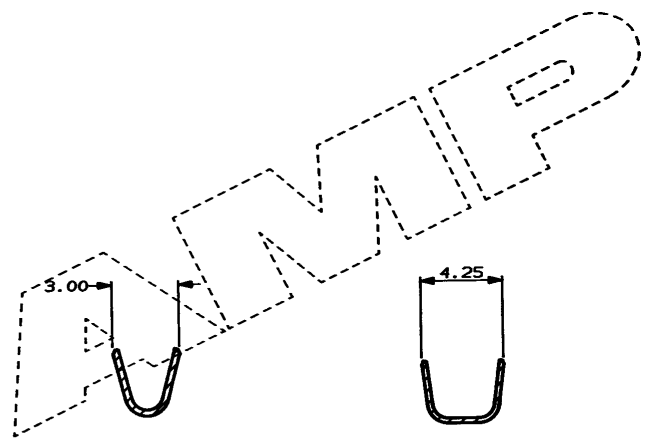
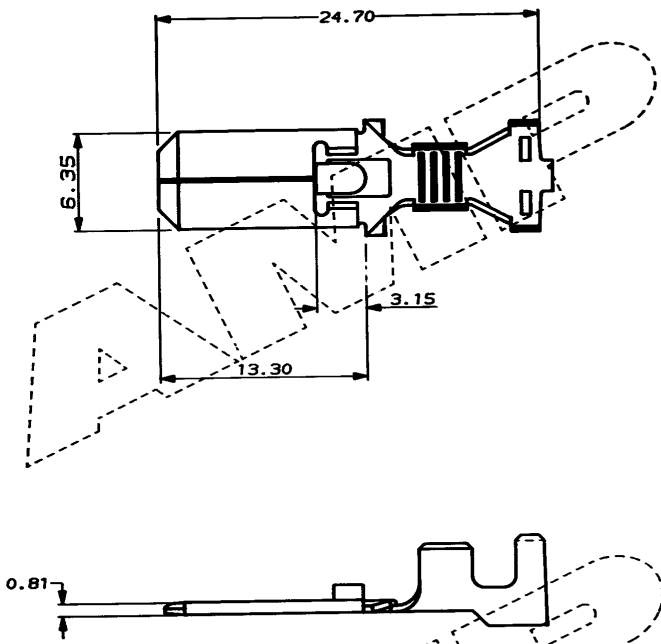
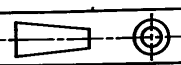


DRAWING FILE NO. S.C344071.B

DO NOT SCALE

DIMENSIONS IN MM.



WIRE RANGE:
 SINGLE WIRES OF 0.5, 0.75, 1.0 AND 1.5MM²
 OR DOUBLE WIRES OF 2 X 0.5MM² OR 2 X 0.75MM²

INS. RANGE:
 SINGLE WIRES OF 1.6 DIA. TO 2.4 DIA.
 OR DOUBLE WIRES OF 2 X 1.6 DIA. OR 2 X 1.9 DIA.

(NOTE: O/LAP CRIMP FOR SINGLE WIRES AND
 F* CRIMP FOR DOUBLE WIRES TO BE USED).

| | | | | | |
|------------------------------------|--|--|--|--|--|
| TIN PLATED | | BRASS | | 344071-1 | |
| FINISH | | MATERIAL | | PART NUMBER | |
| CUSTOMER DWG FOR REFERENCE ONLY | | <small>© COPYRIGHT 1987 BY ANP of GREAT BRITAIN LTD. ALL INTERNATIONAL RIGHTS RESERVED. ALL PRODUCTS MAY BE COVERED BY BRITISH AND FOREIGN PATENTS AND/OR PATENTS PENDING.</small> | | <small>RELEASED FOR PUBLICATION 23/06/87</small> | |
| - | | TOLERANCES UNLESS OTHERWISE STATED : | | DR. R. RUNAGALL 23/06/87 | |
| - | | DEC ± 0.5 | | CH. R. J. S. APP. B. J. | |
| - | | ANGLES ± 1° | | TERMINAL HOUSE STANNORE MIDDX. | |
| B ECR-09-025073 | | 16NOV09 | | NAME .250 SERIES TAB HIGH CURRENT ECONOSEAL 3 (UNSEALED APPLICATIONS) | |
| A UPDATED | | 02241 18.5.88 | | SCALE LOC SIZE DWG.No. REV SHEET | |
| O DEL. FOR PRD. | | 04887 6.3.88 | | 4/1 E A3 C344071 B 1/1 | |
| REV APPROVED | | ECN DATE | | | |