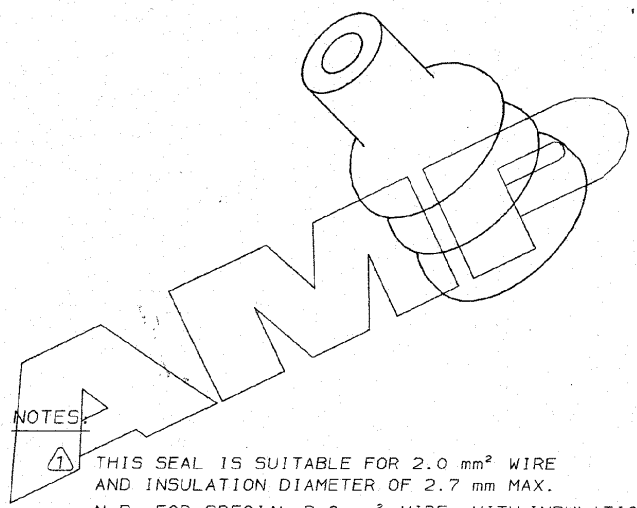
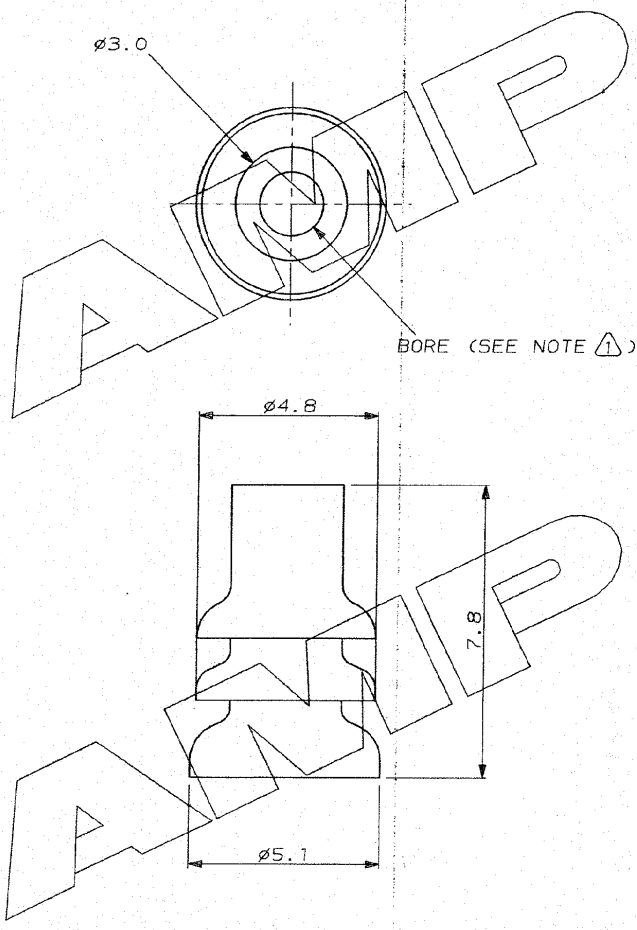


C.A.D. FILE ONE  
S. C347875.A

8 7 6 5 4 3 2 1

DO NOT SCALE DIMENSIONS IN MM.



NOTES  
1 THIS SEAL IS SUITABLE FOR 2.0 mm<sup>2</sup> WIRE AND INSULATION DIAMETER OF 2.7 mm MAX.  
N.B. FOR SPECIAL 2.0 mm<sup>2</sup> WIRE, WITH INSULATION DIA. OF 2.4 MAX., USE SEAL PN. 347874-1.

YELLOW		SELF-LUBRICATING SILICONE RUBBER		347875-1	
FINISH		MATERIAL		PART NUMBER	
CUSTOMER DWG FOR REFERENCE ONLY		© COPYRIGHT 1993 BY AMP OF GREAT BRITAIN LTD. ALL INTERNATIONAL RIGHTS RESERVED. ALL PRODUCTS MAY BE COVERED BY BRITISH AND FOREIGN PATENTS AND/OR PATENTS PENDING.		RELEASED FOR PUBLICATION 25 AUG 1993	
TOLERANCES UNLESS OTHERWISE STATED :		DR. R.J.S.		25.8.93	
DEC ± 0.5		CH. R.R.		APP. J.P.	
ANGLES ± 1°				TERMINAL HOUSE STANMORE MIDDX.	
A RELEASED		E00-0091-01		NAME .070 SERIES CABLE SEAL	
2 REL. TO CUST.		E00-0259-94		ECONOSEAL 3 LOW CURRENT	
1 PRELIM. ISSUE		E00------93		SCALE 10/1	
REV MODIFICATION		CHANGE No. DATE		LOC E	
				SIZE A3	
				DWG. No. C347875	
				REV A	
				SHEET 1/1	