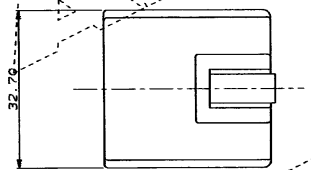
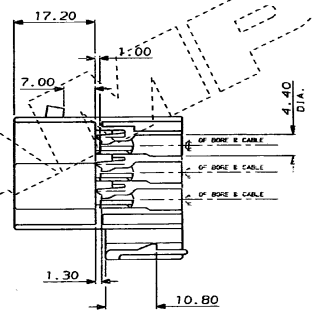
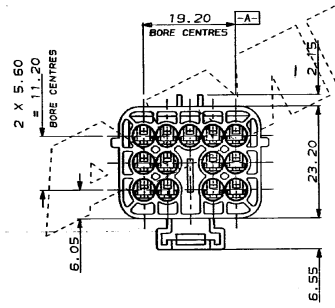
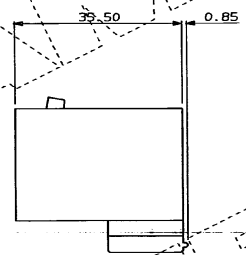
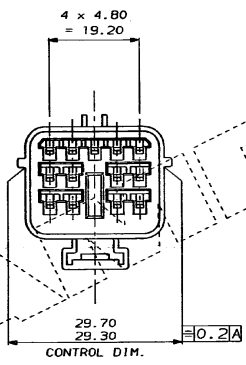


C.I.D. FILE CODE
5. C34260. E



DO NOT SCALE DIMENSIONS IN MM.

BLUE	NYLON 6.6	344260-3
WHITE	NYLON 6.6	344260-2
BLACK	NYLON 6.6	344260-1
FINISH MATERIAL		PART NUMBER
CUSTOMER DWG FOR REFERENCE ONLY		
© COPYRIGHT 1987 BY AMP OF GREAT BRITAIN LTD. ALL INTERNATIONAL RIGHTS RESERVED. ALL PRODUCTS MAY BE COVERED BY BRITISH AND FOREIGN PATENTS AND/OR PATENTS PENDING.		RELEASED FOR PUBLICATION 27 OCT 1987
UNLESS OTHERWISE STATED DEC = 0.5 ANGLES = 1°		DR. J. J. S. APP. B. J.
D 13 WAY TAB HOUSING ECONOSEAL 3 LOW CURRENT		TERMINAL HOUSING STANDARD INDEX
E 28.00.00 28.00.00	280-001-01 2.2.80	NAME SCALE DATE
C 2800-0-010 2800-0-010	15.1.81	2/1 E A2 C344260
A 2800-0-010 28.00.00	28.00.00	SHEET 1/1
D 2800-0-010 28.00.00	28.00.00	
KEY DIMENSIONS ECH	DATE	

FORM 12 02/78