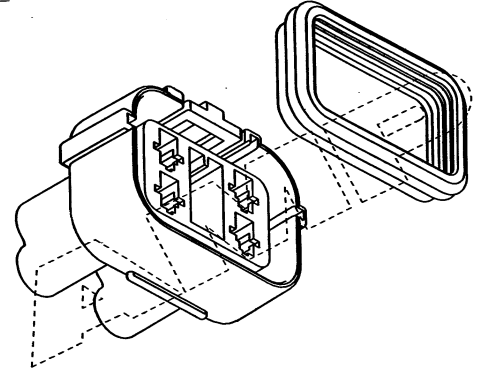
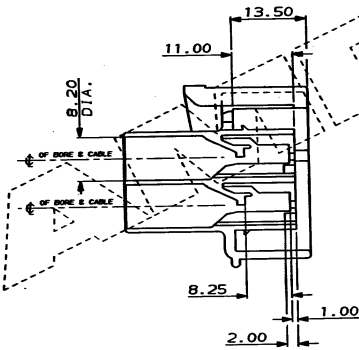
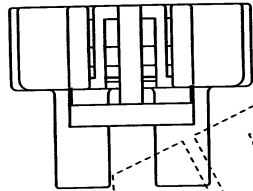
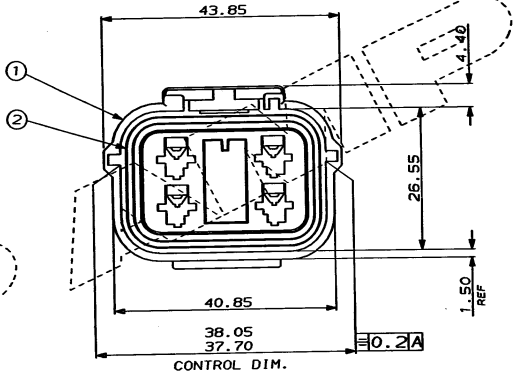
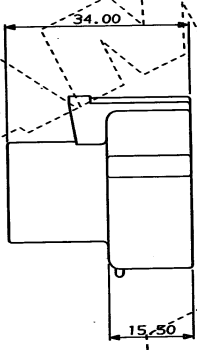
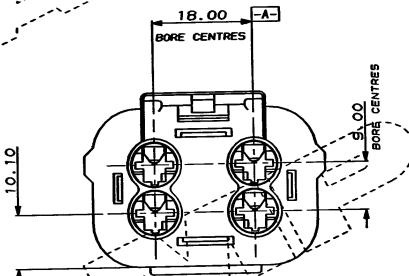


C.A.T. FILE ONLY
S. C344080.C

DO NOT SCALE DIMENSIONS IN MM.



SCRAP VIEW (SEAL NOT SHOWN)



ITEM NO.	MATERIAL	PART No.	DESCRIPTION	QTY. PER ASSY.	ASSEMBLY PART No.
2		344083-1	PERIPHERAL SEAL	1	344080-4 (WHITE)
1	NYLON 66	344077-4	4 WAY REC. HSG.	1	344080-3 (BLUE)
2		344083-1	PERIPHERAL SEAL	1	344080-2 (RED)
1	NYLON 66	344077-2	4 WAY REC. HSG.	1	344080-1 (BLACK)
2		344083-1	PERIPHERAL SEAL	1	
1	NYLON 66	344077-1	4 WAY REC. HSG.	1	

CUSTOMER DWG
FOR REFERENCE ONLY

©COPYRIGHT 1987 BY AMP OF GREAT BRITAIN LTD. ALL INTERNATIONAL RIGHTS RESERVED. ALL PRODUCTS MAY BE COVERED BY BRITISH AND FOREIGN PATENTS AND/OR PATENTS PENDING.

DR. MADE 24/06/87
CH. R. J. S. APP. B. J.
TERMINAL HOUSE STANDOFF H100C.

AMP
of Great Britain Ltd.

NAME 4 WAY RECEPTACLE HSG ASSY
ECONOSEAL 3 HIGH CURRENT

SCALE 2/1 LOC E SIZE A2 DWG. No. C344080

REV SHEET 1