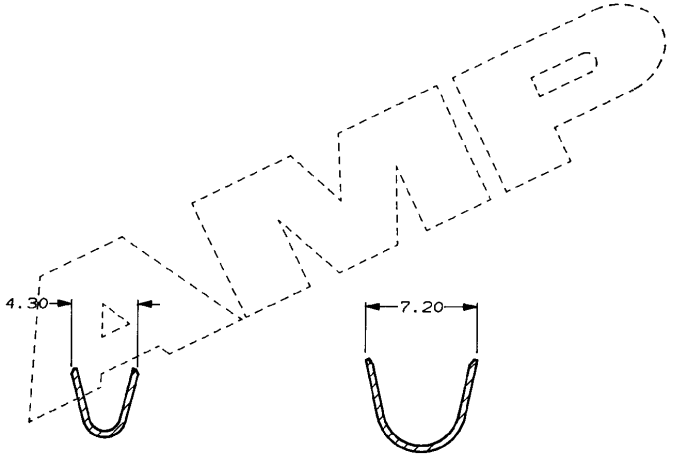
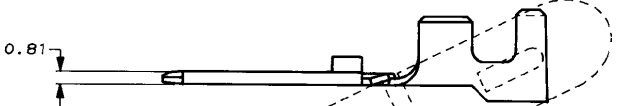
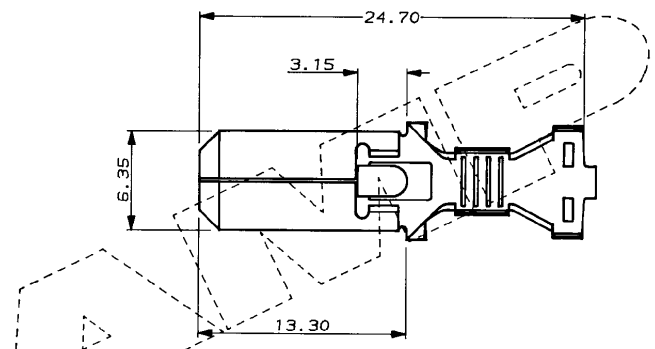



C.A.D. FILE CODE  
S.C344008

DO NOT SCALE DIMENSIONS IN MM.



WIRE RANGE 2.00 TO 3.00 MM<sup>2</sup>  
INS. RANGE 4.10 TO 5.90 MM DIA. INC. SEAL  
(ONLY THIN WALLED CABLE 2.20 TO 3.40 MM DIA. IS SUITABLE)

TIN PLATED		BRASS		344008-1	
FINISH		MATERIAL		PART NUMBER	
CUSTOMER DWG FOR REFERENCE ONLY		©COPYRIGHT 1987 BY AMP OF GREAT BRITAIN LTD. ALL INTERNATIONAL RIGHTS RESERVED. ALL PRODUCTS MAY BE COVERED BY BRITISH AND FOREIGN PATENTS AND/OR PATENTS PENDING.		RELEASED FOR PUBLICATION 23/05/87	
-	-	TOLERANCES UNLESS OTHERWISE STATED :		DR. R. RUNAGALL 23/05/87	
-	-	DEC ± 0.5		CH. R. J. S. APP. B. J.	
-	-	ANGLES ± 1°		 TERMINAL HOUSE STANMORE MIDD.	
B	EBA0-0001-05	RS/IMG	20.1.05	NAME .250 SERIES TAB HIGH CURRENT	
A	UPDATED	CS241	18.5.88	ECONOSEAL 3 (SEALED APPLICATIONS)	
O	REL. FOR PROD.	C4887	8.3.88	SCALE	LOC SIZE DWG.No.
REV	APPROVED	ECN	DATE	4/1	E A3 C344008
					REV SHEET B 1/1