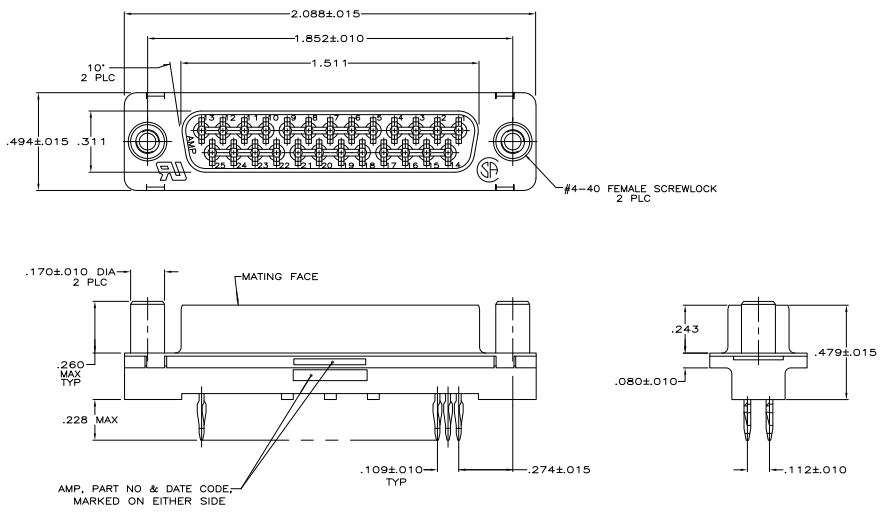


THIS DRAWING IS UNPUBLISHED  
 ALL RIGHTS RESERVED

REV	DATE	DESCRIPTION	BY	APP
00		REVISED PER EDD-12-00090	J	SLB



- △ FOR USE WITH .062 MINIMUM THICK PRINTED CIRCUIT BOARD. REFER TO APPLICATION SPECIFICATION FOR PRINTED CIRCUIT BOARD LAYOUT DIMENSIONS AND FINISH RECOMMENDATIONS.
- △ HOUSING: FLAME RETARDANT, 94V-0 RATED, GLASS FILLED, NYLON OR POLYESTER, COLOR: BLACK.
- △ CONTACTS: COPPER ALLOY
- △ SHELL: CARBON STEEL
- △ SCREWLOCKS: ZINC ALLOY
- △ .000030 MINIMUM GOLD IN MATING AREA.  
 .000100 MINIMUM TIN OR TIN-LEAD ON COMPLIANT PIN.  
 ALL OVER .000050 MINIMUM NICKEL.  
 OR  
 GOLD FLASH OVER PALLADIUM NICKEL.  
 .000030 MINIMUM TOTAL IN MATING AREA.  
 .000100 MINIMUM TIN OR TIN-LEAD ON COMPLIANT PIN.  
 ALL OVER .000050 MINIMUM NICKEL.
- △ SCREWLOCKS: CLEAR TRIVALENT CHROMATE COATING.
- △ SHELL: BRIGHT TIN PLATED.

CONTACT FINISH	748688-1
PART NUMBER	

THIS DRAWING IS A CONTROLLED DOCUMENT. ENGINEERING AND TELEMARKETING PER ADR 1043-0010

DESIGNED BY	REVIEWED BY	DATE
108-40014		
114-40026		

RECEPTACLE ASSEMBLY, SIZE 3, 25 POSITION, WITH ACTION PIN CONTACTS, #4-40 SCREWLOCKS, FRONT METAL SHELL, MEDIUM PROFILE.

TE Connectivity

100779 748688