

4

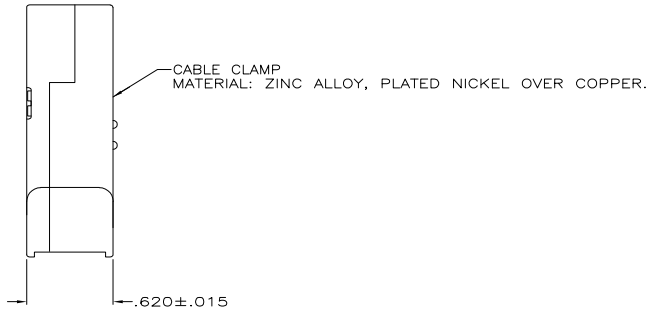
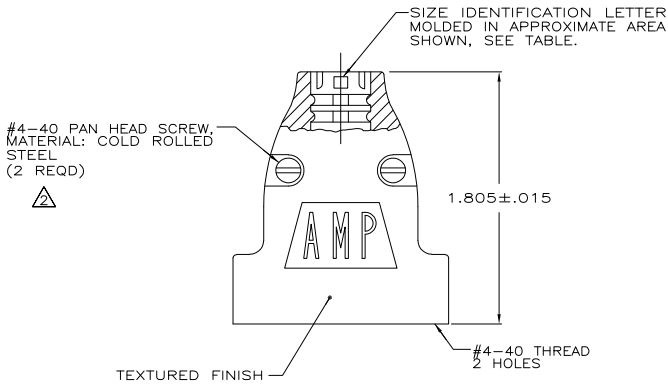
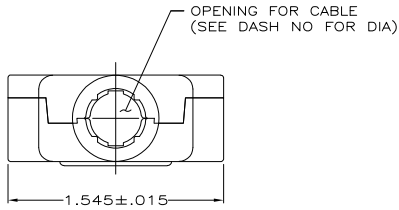
3

2

1

THIS DRAWING IS UNPUBLISHED. RELEASED FOR PUBLICATION  
 © COPYRIGHT BY TYCO ELECTRONICS CORPORATION. ALL RIGHTS RESERVED.

LOC	DIST	REVISIONS			
P	LTR	DESCRIPTION	DATE	MIN	APPRO
0		RELEASED PER EC 0513-0226-05	8-14-05		D.H. J.G.



1. PARTS PACKAGED UNASSEMBLED.  
 △ ZINC PLATED .000200-.000400 THICK,  
 CLEAR CHROMATE COATING.

E	.300	5745919-3
H	.375	5745919-2
K	.430	5745919-1
SIZE IDENT LETTER	MAX CABLE DIA	PART NUMBER

**COPYRIGHT 2005  
 TYCO ELECTRONICS CORP  
 ALL RIGHTS RESERVED**

DIMENSIONS:		DESIGNER'S INITIALS:		DATE	
INCHES					
0 PLC	8 -	D. HENRY	8-14-05	Tyco Electronics Corporation	
1 PLC	8 -	C. ROHDE	8-14-05	Harrisburg, Pa 17105-3608	
2 PLC	8 -	M. WALMSLEY	8-14-05	CABLE CLAMP KIT, SIZE 2, 15 POSITION, 180°, AMPLIMITE SERIES	
3 PLC	8 - .005			SIZE	CAGE CODE
4 PLC	8 - # -			A2	00779
ANGLES	8 - # -			C=	5745919
FINISH				RESTRICTED TO	
MATERIAL	SEE CALLOUTS				
FINISH	SEE CALLOUTS			CUSTOMER DRAWING	
				SCALE	1:1
				SHEET	1 OF 1
				REV	0

AMP 1471-9 REV 31MM2000

5745919

B

A