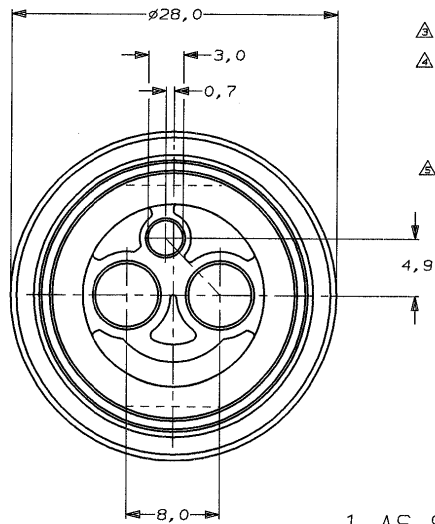
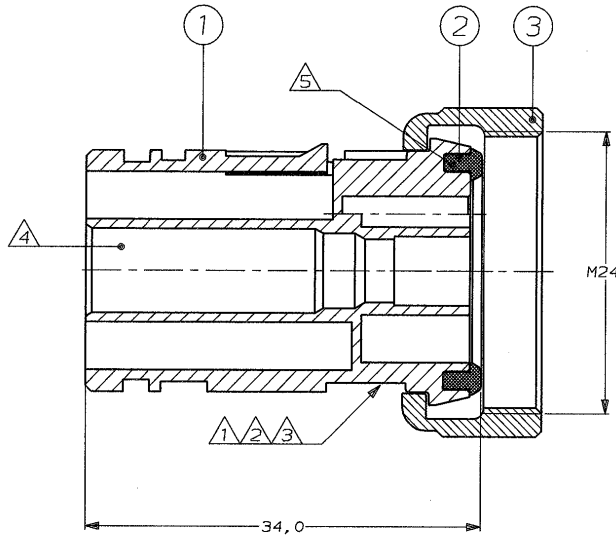


DO NOT SCALE
DIMENSIONS IN mm

METRIC

THIRD ANGLE
PROJECTION



-1 AS SHOWN

NOTES.

- △ AMP-TRADEMARK PER SPEC.
- △ AMP-IDENTIFICATION NUMBER ACC. DIN 1451 MITTLESCHR. HEIGHT 1,2
- △ AMP-MOLD IDENTIFICATION NUMBER
- △ CAVITY FOR,
1 4mm. SOCKET CONTACT WIRE SIZE 0,5-4mm² SEE DRAWING NR. 962952-1 NR. 962954-1 NR. 962956-1
2 SCAT SEE DRAWING NR. 963243-1 NR. 963244-1
- △ SEAL BONDED IN INSERT.

BRASS	NUT M24	100296-1	3
SILICON RUBBER	SEALING RING	100294-1	2
PBT	2-POS. HOUSING	100287-1	1
MATERIAL	DESCRIPTION	PARTNUMBER	ITEM

-				CUSTOMER DRAWING		FOR REFERENCE ONLY	
-				© COPYRIGHT 19-		WILL NOT BE UPDATED	
-				BY AMP HOLLAND B.V.		ALL INTERNATIONAL RIGHTS RESERVED. AMP PRODUCTS MAY BE COVERED BY U.S. AND FOREIGN AND/OR PATENTS PENDING.	
-				THIS DRAWING IS UNPUBLISHED		RELEASED FOR PUBLICATION	
B	EH-08960-93	DK	RotB	18-11-93	AMP HOLLAND B.V. s- Her togenbosch, The Nether Lands.		
A	H-9765	LvdH	RotB	13 MAY '92	NAME		
O	H-9527	JvL	RotB	10-02-92	ASSY 2 POS HOUSING FOR 4mm. SOCKET CONTACT M24 VERSION		
LTR.	REVISION RECORD	DR.	CHK.	DATE	NAME		
DR.:	J.v.LIEMPT.	CHK.:	R.o.F.BERG.	APP.:	L.v.SOEST.	DWG.No.	REV.LTR.
DATE:	10 FEB. 1992	DATE:	-	DATE:	24-11-93	C-100283	B
							SHEET
							1 OF 1
							A3