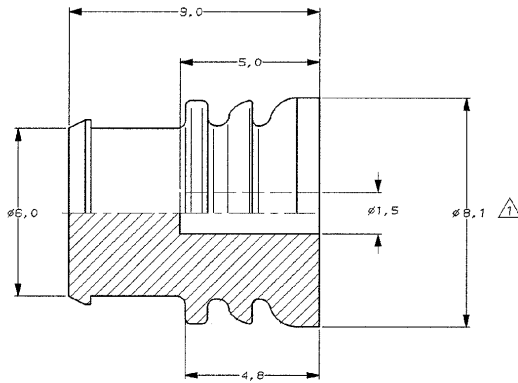
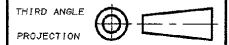


DO NOT SCALE  
DIMENSIONS IN mm

METRIC



NOTES

△ FOR CAVITY  $\varnothing 7,2$  mm.

2 MATERIAL: SILICON RUBBER

SHORE:A 50 $\pm$ 5

SURFACE: DRY WITH TALCUM POWDER

COLOR: BLACK

-1 AS SHOWN

FINISH				MATERIAL		PART NUMBER	
-	-	-	-	-	-	CUSTOMER DRAWING FOR REFERENCE ONLY WILL NOT BE UPDATED.	
-	-	-	-	-	-	THIS DRAWING IS UNPUBLISHED RELEASED FOR PUBLICATION	
-	-	-	-	-	-	<b>TE</b> TE Connectivity	
-	-	-	-	-	-	NAME CAVITY PLUG	
A1	REVISED PER ECO-11-005294	RK	HMR	13APR11			
LTR.	REVISION RECORD	DR.	CHK.	DATE			
DR.	DATE	CHK.	DATE	APP.	DATE	DWG. No.	REV. LTR. SHEET
-	-	-	-	-	-	100132	A1 1 OF 1