

4

3

2

1

THIS DRAWING IS UNPUBLISHED.

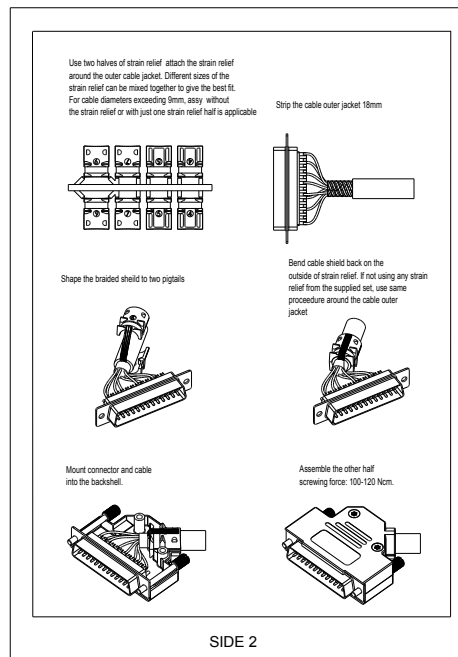
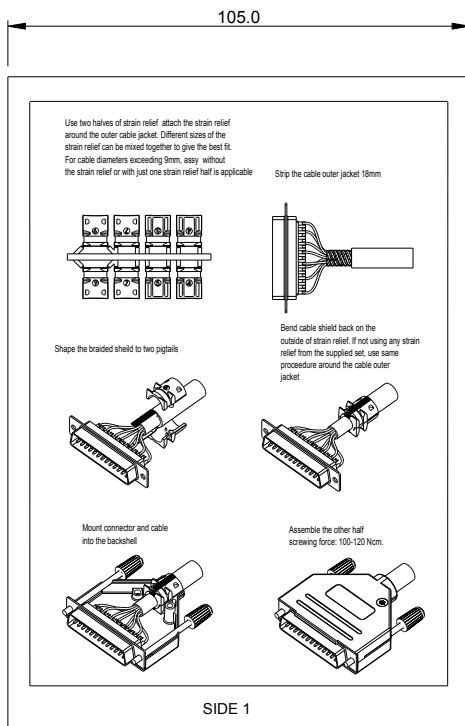
RELEASED FOR PUBLICATION

2011

© COPYRIGHT 2011

ALL RIGHTS RESERVED.

LOC	DIST	REVISIONS			
P	LTR	DESCRIPTION	DATE	DWN	APVD
B	E	ECR-11-018638	08/09/11	MJG	JA



THIS DRAWING IS A CONTROLLED DOCUMENT.		DWN	07/03/02	 TE Connectivity
		CHK	07/03/02	
		APVD	07/03/02	
DIMENSIONS: mm 		NAME LEAFLET ASSEMBLY INSTRUCTIONS ADK BACKSHELL		RESTRICTED TO
TOLERANCES UNLESS OTHERWISE SPECIFIED: 0 PLC ± 1 PLC ± 2 PLC ± 3 PLC ± 4 PLC ± ANGLES 40.5 FINISH -		SIZE A3		
MATERIAL		PRODUCT SPEC	DRAWING NO	C=1478530
		APPLICATION SPEC	CAGE CODE	A300779
		WEIGHT	SCALE	NTS
		CUSTOMER DRAWING	SHEET	1 OF 1
			REV	B