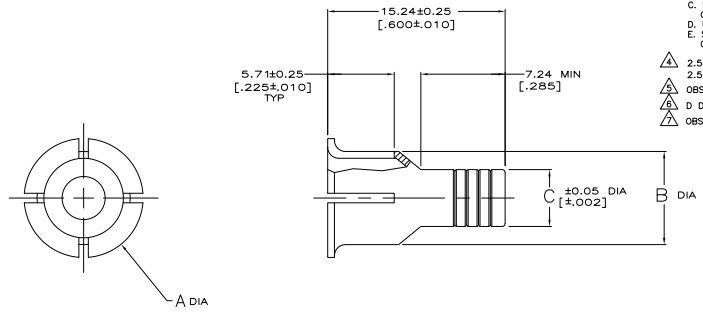
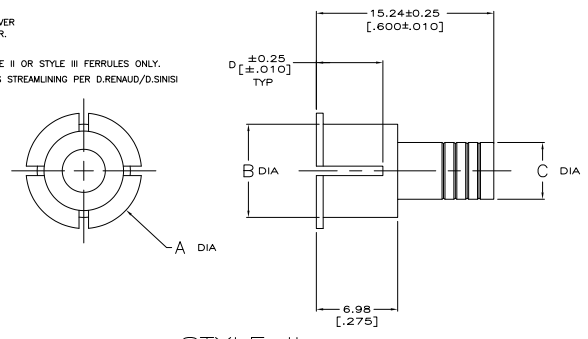


REV	DATE	DESCRIPTION	BY	CHK
00				
L2		REVISED PER EDD-11-004835	11MM11	RK HMR

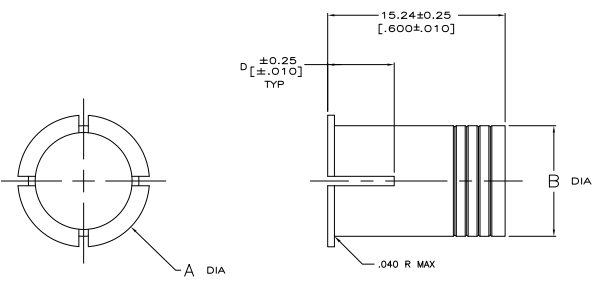
- △ BRASS, .023 THICK PER MIL-C-50 OR ASTM B16.
- △ 2.54µm [.000100] MIN TIN OR TIN LEAD PER MIL-T-10727 OVER
- 2.54µm [.000100] MIN COPPER PER MIL-C-14550A.
- 3. FERRULE SELECTION PROCEDURE:  
 A. SELECT THE DESIRED CABLE CLAMP FROM ANY OF THE FOLLOWING DRAWINGS:  
 5745171, 5745172, 5745173, 5745174, 5745175, 5745854, 5747099,  
 5745853, 5747100, 5747098, 5745919, 5745652, 5745653
- B. VERIFY THAT THE CHOSEN CABLE CLAMP IS AVAILABLE.
- C. SELECT AN INNER FERRULE PART NUMBER TO MATCH THE CABLE CLAMP SIZE AND CABLE DIAMETER TO BE USED.
- D. USE THE OUTER FERRULE LISTED WITH THE CHOSEN INNER FERRULE.
- E. SEE SPLIT RING FERRULES ON DRAWING 745508 FOR ADDITIONAL OPTIONS.
- △ 2.54µm [.000100] MIN TIN, OVER
- 2.54µm [.000100] MIN COPPER.
- △ OBSOLETE
- △ D DIMENSION APPLIES TO STYLE II OR STYLE III FERRULES ONLY.
- △ OBSOLETE PARTS: OBSOLETE CIS STREAMLING PER D.RENAUD/D.SINISI



STYLE I



STYLE II



STYLE III

4-745130-6	1 2 5	230-280	I OR II	5.72 (0.225)	5.72 (0.225)	8.00 (0.315)	10.16 (0.400)	7-745129-9
4-745130-5	2 3 4	230-280	I OR II	4.70 (0.185)	5.72 (0.225)	9.50 (0.374)	11.56 (0.455)	7-745129-8
4-745130-3	5	600-650	I OR II	5.72 (0.225)	15.11 (0.595)	17.65 (0.695)	19.94 (0.785)	7-745129-7
4-745130-2	4	480-530	I OR II	5.72 (0.225)	11.94 (0.470)	15.11 (0.595)	17.40 (0.685)	7-745129-6
4-745130-1	3 5	380-430	I OR II	5.72 (0.225)	9.50 (0.374)	11.94 (0.470)	14.22 (0.560)	7-745129-5
4-745130-2	3 5	480-530	III	5.72 (0.225)	---	11.94 (0.470)	14.22 (0.560)	7-745129-4
△ OBSOLETE 3-745130-8	2 3 4	190-240	I OR II	5.72 (0.225)	4.88 (0.192)	9.50 (0.374)	11.56 (0.455)	7-745129-3
3-745130-9	2 3 4	300-350	I OR II	5.72 (0.225)	7.47 (0.294)	9.50 (0.374)	11.56 (0.455)	7-745129-2
4-745130-1	2 3 4	380-430	III	5.72 (0.225)	---	9.50 (0.374)	11.56 (0.455)	7-745129-1
3-745130-8	1 2 5	190-240	I OR II	5.72 (0.225)	4.88 (0.192)	8.00 (0.315)	10.16 (0.400)	7-745129-0
4-745130-0	1 2 5	320-370	III	5.72 (0.225)	---	8.00 (0.315)	10.16 (0.400)	6-745129-9
1-745130-6	1 2 5	230-280	I OR II	5.72 (0.225)	5.72 (0.225)	8.00 (0.315)	10.16 (0.400)	3-745129-4
1-745130-6	2 3 4	230-280	I OR II	5.72 (0.225)	5.72 (0.225)	9.50 (0.374)	11.56 (0.455)	3-745129-3
1-745130-2	5	480-530	I OR II	5.72 (0.225)	11.94 (0.470)	17.65 (0.695)	19.94 (0.785)	3-745129-0
1-745130-3	5	600-650	I OR II	5.72 (0.225)	15.11 (0.595)	17.65 (0.695)	19.94 (0.785)	2-745129-9
1-745130-4	5	700-750	III	5.72 (0.225)	---	17.65 (0.695)	19.94 (0.785)	2-745129-8
1-745130-1	4	380-430	I OR II	5.72 (0.225)	9.50 (0.374)	15.11 (0.595)	17.40 (0.685)	2-745129-7
1-745130-2	4	480-530	I OR II	5.72 (0.225)	11.94 (0.470)	15.11 (0.595)	17.40 (0.685)	2-745129-6
1-745130-3	4	600-650	III	5.72 (0.225)	---	15.11 (0.595)	17.40 (0.685)	2-745129-5
745130-9	3 5	300-350	I OR II	5.72 (0.225)	7.47 (0.294)	11.94 (0.470)	14.22 (0.560)	2-745129-4
1-745130-1	3 5	380-430	I OR II	5.72 (0.225)	9.50 (0.374)	11.94 (0.470)	14.22 (0.560)	2-745129-3
1-745130-2	3 5	480-530	III	5.72 (0.225)	---	11.94 (0.470)	14.22 (0.560)	2-745129-2
745130-8	2 3 4	190-240	I OR II	5.72 (0.225)	4.88 (0.192)	9.50 (0.374)	11.56 (0.455)	2-745129-1
745130-9	2 3 4	300-350	I OR II	5.72 (0.225)	7.47 (0.294)	9.50 (0.374)	11.56 (0.455)	2-745129-0
1-745130-1	2 3 4	380-430	III	5.72 (0.225)	---	9.50 (0.374)	11.56 (0.455)	1-745129-9
745130-8	1 2 5	190-240	I OR II	5.72 (0.225)	4.88 (0.192)	8.00 (0.315)	10.16 (0.400)	1-745129-8
745130-0	1 2 5	320-370	III	5.72 (0.225)	---	8.00 (0.315)	10.16 (0.400)	1-745129-7
745130-8	1	190-240	III	5.72 (0.225)	---	4.88 (0.192)	6.99 (0.275)	1-745129-6

THIS DRAWING IS A CONTROLLED DOCUMENT. IN REVISIONS: DATE: 11/11/11 BY: HMR

TE Connectivity  
 FERRULE, INNER, AMPULMITE HDP-20

SIZE: 4.1 SHEET: 1 OF 1