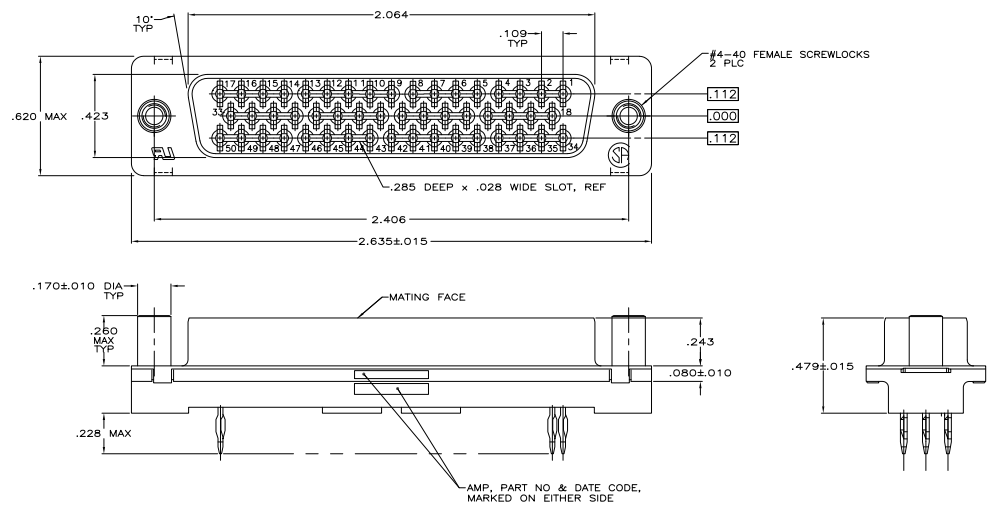


THIS DRAWING IS UNPUBLISHED
 ALL RIGHTS RESERVED

REV	DATE	DESCRIPTION	BY	APP
00		REVISED PER EDD-12-00090		



- △ FOR USE WITH .093 MINIMUM THICK PRINTED CIRCUIT BOARD. REFER TO APPLICATION SPECIFICATION FOR PRINTED CIRCUIT BOARD LAYOUT DIMENSIONS AND FINISH RECOMMENDATIONS.
- △ DUPLEX PLATED: GOLD FLASH ON MATING SURFACE, BRIGHT TIN OR BRIGHT TIN LEAD ON COMPLIANT PIN, ALL OVER NICKEL.
- △ .000030 MINIMUM GOLD IN MATING AREA.
.000100 MINIMUM TIN OR TIN-LEAD ON COMPLIANT PIN.
ALL OVER .000050 MINIMUM NICKEL.
- OR
- △ GOLD FLASH OVER PALLADIUM NICKEL.
.000030 MINIMUM TOTAL IN MATING AREA.
.000100 MINIMUM TIN OR TIN-LEAD ON COMPLIANT PIN.
ALL OVER .000050 MINIMUM NICKEL.
- △ SHELL: PLATED .0002-.0004 BRIGHT TIN
- 5. NOTE REMOVED
- △ MATERIAL: HOUSING: FLAME RETARDANT 94V-0 RATED THERMOPLASTIC;
COLOR: BLACK
CONTACTS: COPPER ALLOY
SHELL: CARBON STEEL
SCREWLOCKS: ZINC ALLOY
- △ SCREWLOCKS: CLEAR TRIVALENT CHROMATE COATING

OBSOLETE	CONTACT FINISH	PART NUMBER
		747145-2 747145-1

THIS DRAWING IS A CONTROLLED DOCUMENT. DATE: 04-12-04

TE Connectivity

RCPT ASSY, SIZE 5, 50 POSN, AMPLIMITE HOP, MOM PROFILE, W/ ACTION PIN CONT & METAL SHELL

108-40014

114-40026

100779

747145

CUSTOMER DRAWING