

4

3

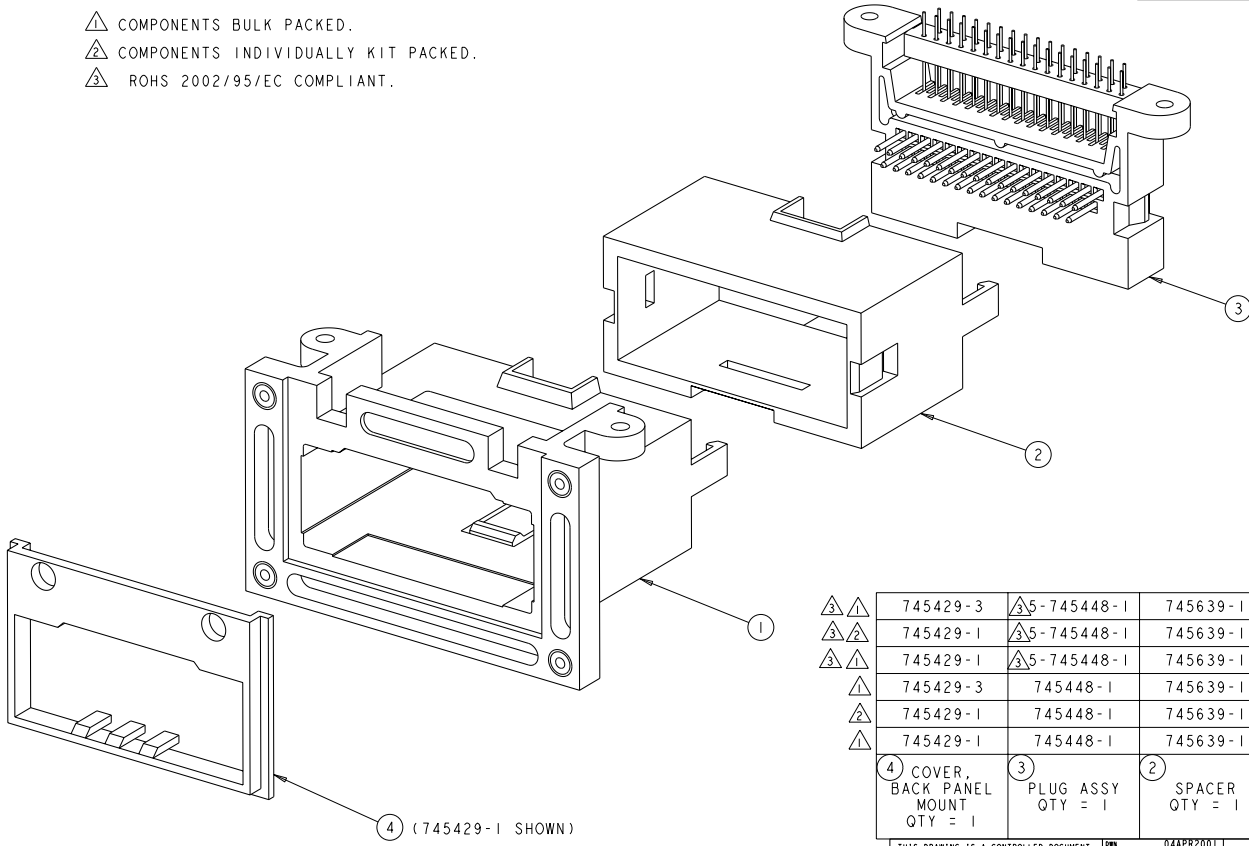
2

1

THIS DRAWING IS UNPUBLISHED. RELEASED FOR PUBLICATION  
 BY - ALL RIGHTS RESERVED.

LOC	DISP	REVISIONS			
P	LYR	DESCRIPTION	DATE	BY	APPD
D2		REVISED PER ECO-11-005027	17MAR2011	JK	HMR

- ⚠ COMPONENTS BULK PACKED.
- ⚠ COMPONENTS INDIVIDUALLY KIT PACKED.
- ⚠ ROHS 2002/95/EC COMPLIANT.



⚠	⚠	745429-3	⚠5-745448-1	745639-1	745443-1	5-745641-3
⚠	⚠	745429-1	⚠5-745448-1	745639-1	745443-1	5-745641-2
⚠	⚠	745429-1	⚠5-745448-1	745639-1	745443-1	5-745641-1
⚠	⚠	745429-3	745448-1	745639-1	745443-1	745641-3
⚠	⚠	745429-1	745448-1	745639-1	745443-1	745641-2
⚠	⚠	745429-1	745448-1	745639-1	745443-1	745641-1
Ⓞ	Ⓞ	COVER, BACK PANEL MOUNT QTY = 1	Ⓞ	PLUG ASSY QTY = 1	Ⓞ	SPACER QTY = 1
			Ⓞ	ASSY. HOLDER BODY QTY = 1		PART NUMBER

THIS DRAWING IS A CONTROLLED DOCUMENT. **TE Connectivity**

DESIGNED BY: R. BROWN	DATE: 04APR2001	<b>TE</b> TE Connectivity
CHECKED BY: J. OLSON	DATE: 04APR2001	
DRAWN BY: J. OLSON	DATE: 04APR2001	KIT, LONG HOLDER ASSY, AMPLIMITE CASSETTE CONN. SYSTEM
PRODUCT SPEC:	APPLICATION SPEC:	
MATERIAL:	FINISH:	WEIGHT:
		CUSTOMER DRAWING

SCALE: 2:1 SHEET 1 OF 1 REV D2