

4

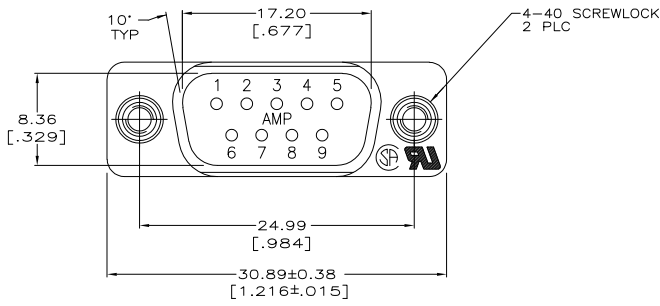
3

2

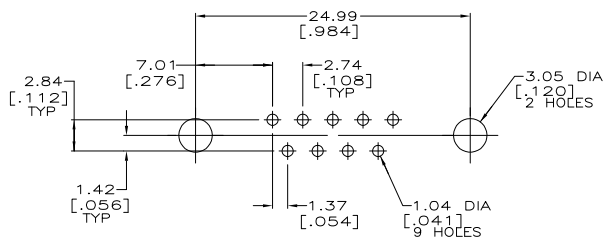
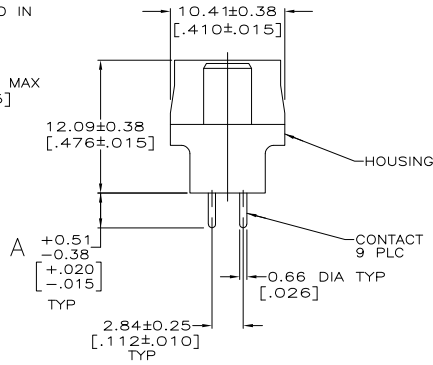
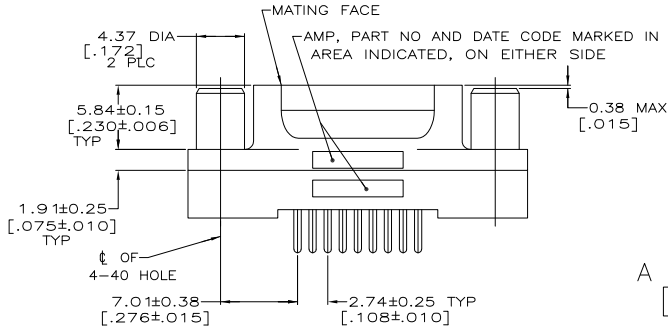
1

THIS DRAWING IS UNPUBLISHED. RELEASED FOR PUBLICATION  
 © COPYRIGHT BY TYCO ELECTRONICS CORPORATION. ALL RIGHTS RESERVED.

LOC		DIBT		REVISIONS			
F	LTR	DESCRIPTION	DATE	BY	APP'D		
GP	00	H	REVISED PER ECO-06-026336	11/DEC/06	ZMRE/EDB		



- △ HOUSING: BLACK POLYESTER, UL 94V-0 RATED;  
CONTACTS: BRASS  
SCREWLOCK: BRASS
- △ GOLD PLATED FOR LENGTH OF 3.81 [.150] MIN FROM MATING END, GOLD FLASH IN MATED AREA, 2.54μm [.000100] MIN TIN OR TIN-LEAD FOR A LENGTH OF DIMENSION A FROM OPPOSITE END, BOTH OVER 1.27μm [.000050] MIN NICKEL.
- △ GOLD PLATED FOR LENGTH OF 3.81 [.150] MIN FROM MATING END, 0.76μm [.000030] MIN GOLD IN MATED AREA, 2.54μm [.000100] MIN TIN OR TIN-LEAD FOR A LENGTH OF DIMENSION A FROM OPPOSITE END, BOTH OVER 1.27μm [.000050] MIN NICKEL.  
-OR-  
GOLD FLASH OVER PALLADIUM NICKEL FOR A LENGTH OF 3.81 [.150] MIN FROM MATING END, 0.76μm [.000030] MIN PALLADIUM NICKEL IN MATED AREA, 2.54μm [.000100] MIN TIN OR TIN-LEAD FOR A LENGTH OF DIMENSION A FROM OPPOSITE END, BOTH OVER 1.27μm [.000050] MIN NICKEL.
- △ 1.27μm [.000050] MIN NICKEL OVER COPPER FLASH.



RECOMMENDED PC BOARD MOUNTING DIMENSIONS

OBSOLETE	6.35 [.250]	△	745071-6
OBSOLETE	6.35 [.250]	△	745071-5
	4.32 [.170]	△	745071-4
OBSOLETE	4.32 [.170]	△	745071-3
	3.18 [.125]	△	745071-2
	3.18 [.125]	△	745071-1
	DIMENSION A	CONTACT FINISH	PART NUMBER

THIS DRAWING IS A CONTROLLED DOCUMENT.		DATE	BY	APPROVED	TYCO ELECTRONICS CORPORATION
DIMENSIONS: mm [INCHES]		11-14-88	J. McCLINTON	S. STONE	Harrisburg, PA 17105-3608
MATERIAL: △ SCREWLOCK △		2-1-90	C. ROHDE		
CONTACT: SEE TABLE		2-2-90			
PRODUCT SPEC: 108-40025		NAME: Tyco Electronics		PLUG ASSEMBLY, SIZE 1, 9 POSN, VERTICAL, AMPLIMITE® HD-20	
APPLICATION SPEC: -		SIZE: A2		CASE CODE: 00779	
WEIGHT: -		DRAWING NO: C=745071		RESTRICTED TO: -	
CUSTOMER DRAWING		SCALE: NTS		SHEET: 1 of 1	