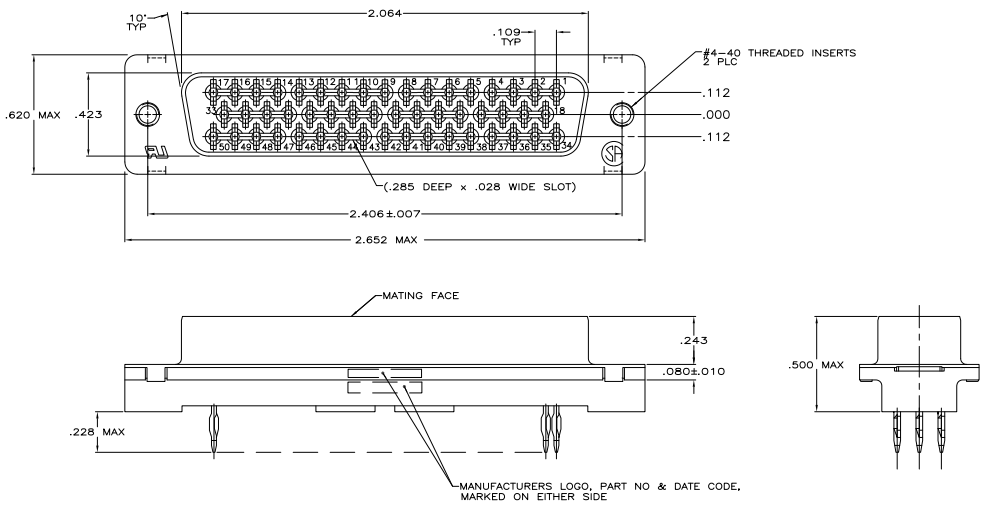


THIS DRAWING IS UNPUBLISHED
 ALL RIGHTS RESERVED

REV	DATE	DESCRIPTION	BY	APP
00				
01		REVISED PER EDD-12-00090		



- ⚠ FOR USE WITH .062 MINIMUM THICK PRINTED CIRCUIT BOARD. REFER TO APPLICATION SPECIFICATION FOR PRINTED CIRCUIT BOARD LAYOUT DIMENSIONS AND FINISH RECOMMENDATIONS.
- ⚠ SHELL: .000200 MIN TIN OVER .000100 MIN COPPER.
- OR
- ⚠ CONTACTS: .000030 MINIMUM GOLD IN MATING AREA. .000100 MINIMUM TIN ON COMPLIANT PIN. ALL OVER .000050 MINIMUM NICKEL.
- OR
- ⚠ GOLD FLASH OVER PALLADIUM NICKEL. .000030 MINIMUM TOTAL IN MATING AREA. .000100 MINIMUM TIN ON COMPLIANT PIN. ALL OVER .000050 MINIMUM NICKEL.
- ⚠ HOUSING: FLAME RETARDANT, UL 94V-0 RATED, GLASS FILLED, NYLON OR POLYESTER, COLOR: BLACK.
- ⚠ SHELL: CARBON STEEL.
- ⚠ CONTACTS: COPPER ALLOY.
- ⚠ INSERTS: BRASS.

**COPYRIGHT 2005
 TYCO ELECTRONICS CORP
 ALL RIGHTS RESERVED**

THIS DRAWING IS A CONTROLLED DOCUMENT.		REV	DATE	DESCRIPTION	BY	APP
1	1008-40014	02-28-03	02-28-03			
2	114-40026	04-28-03	04-28-03			
3	114-40026	04-28-03	04-28-03			
4	114-40026	04-28-03	04-28-03			
5	114-40026	04-28-03	04-28-03			
6	114-40026	04-28-03	04-28-03			
7	114-40026	04-28-03	04-28-03			
8	114-40026	04-28-03	04-28-03			
9	114-40026	04-28-03	04-28-03			
10	114-40026	04-28-03	04-28-03			
11	114-40026	04-28-03	04-28-03			
12	114-40026	04-28-03	04-28-03			
13	114-40026	04-28-03	04-28-03			
14	114-40026	04-28-03	04-28-03			
15	114-40026	04-28-03	04-28-03			
16	114-40026	04-28-03	04-28-03			
17	114-40026	04-28-03	04-28-03			
18	114-40026	04-28-03	04-28-03			
19	114-40026	04-28-03	04-28-03			
20	114-40026	04-28-03	04-28-03			
21	114-40026	04-28-03	04-28-03			
22	114-40026	04-28-03	04-28-03			
23	114-40026	04-28-03	04-28-03			
24	114-40026	04-28-03	04-28-03			
25	114-40026	04-28-03	04-28-03			
26	114-40026	04-28-03	04-28-03			
27	114-40026	04-28-03	04-28-03			
28	114-40026	04-28-03	04-28-03			
29	114-40026	04-28-03	04-28-03			
30	114-40026	04-28-03	04-28-03			
31	114-40026	04-28-03	04-28-03			
32	114-40026	04-28-03	04-28-03			
33	114-40026	04-28-03	04-28-03			
34	114-40026	04-28-03	04-28-03			
35	114-40026	04-28-03	04-28-03			
36	114-40026	04-28-03	04-28-03			
37	114-40026	04-28-03	04-28-03			
38	114-40026	04-28-03	04-28-03			
39	114-40026	04-28-03	04-28-03			
40	114-40026	04-28-03	04-28-03			
41	114-40026	04-28-03	04-28-03			
42	114-40026	04-28-03	04-28-03			
43	114-40026	04-28-03	04-28-03			
44	114-40026	04-28-03	04-28-03			
45	114-40026	04-28-03	04-28-03			
46	114-40026	04-28-03	04-28-03			
47	114-40026	04-28-03	04-28-03			
48	114-40026	04-28-03	04-28-03			
49	114-40026	04-28-03	04-28-03			
50	114-40026	04-28-03	04-28-03			
51	114-40026	04-28-03	04-28-03			
52	114-40026	04-28-03	04-28-03			
53	114-40026	04-28-03	04-28-03			
54	114-40026	04-28-03	04-28-03			
55	114-40026	04-28-03	04-28-03			
56	114-40026	04-28-03	04-28-03			
57	114-40026	04-28-03	04-28-03			
58	114-40026	04-28-03	04-28-03			
59	114-40026	04-28-03	04-28-03			
60	114-40026	04-28-03	04-28-03			
61	114-40026	04-28-03	04-28-03			
62	114-40026	04-28-03	04-28-03			
63	114-40026	04-28-03	04-28-03			
64	114-40026	04-28-03	04-28-03			
65	114-40026	04-28-03	04-28-03			
66	114-40026	04-28-03	04-28-03			
67	114-40026	04-28-03	04-28-03			
68	114-40026	04-28-03	04-28-03			
69	114-40026	04-28-03	04-28-03			
70	114-40026	04-28-03	04-28-03			
71	114-40026	04-28-03	04-28-03			
72	114-40026	04-28-03	04-28-03			
73	114-40026	04-28-03	04-28-03			
74	114-40026	04-28-03	04-28-03			
75	114-40026	04-28-03	04-28-03			
76	114-40026	04-28-03	04-28-03			
77	114-40026	04-28-03	04-28-03			
78	114-40026	04-28-03	04-28-03			
79	114-40026	04-28-03	04-28-03			
80	114-40026	04-28-03	04-28-03			
81	114-40026	04-28-03	04-28-03			
82	114-40026	04-28-03	04-28-03			
83	114-40026	04-28-03	04-28-03			
84	114-40026	04-28-03	04-28-03			
85	114-40026	04-28-03	04-28-03			
86	114-40026	04-28-03	04-28-03			
87	114-40026	04-28-03	04-28-03			
88	114-40026	04-28-03	04-28-03			
89	114-40026	04-28-03	04-28-03			
90	114-40026	04-28-03	04-28-03			
91	114-40026	04-28-03	04-28-03			
92	114-40026	04-28-03	04-28-03			
93	114-40026	04-28-03	04-28-03			
94	114-40026	04-28-03	04-28-03			
95	114-40026	04-28-03	04-28-03			
96	114-40026	04-28-03	04-28-03			
97	114-40026	04-28-03	04-28-03			
98	114-40026	04-28-03	04-28-03			
99	114-40026	04-28-03	04-28-03			
100	114-40026	04-28-03	04-28-03			