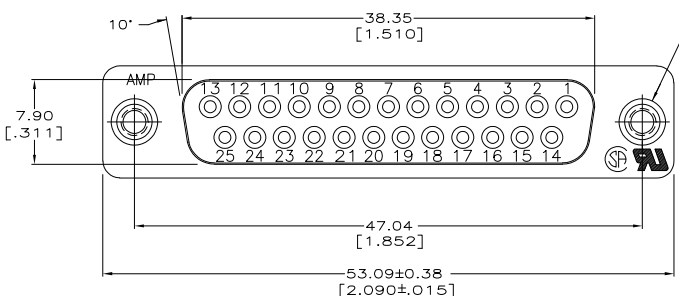
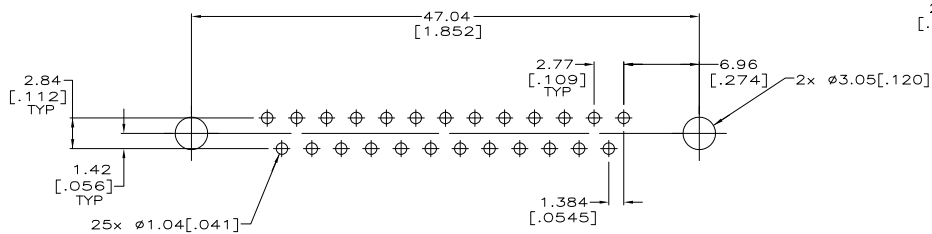
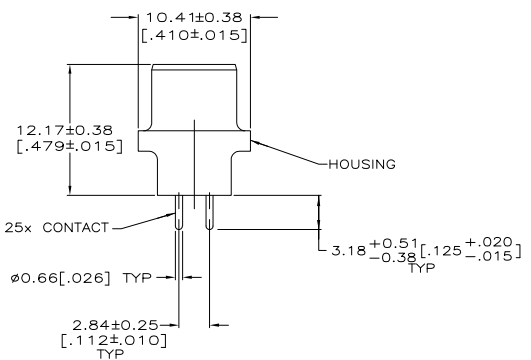
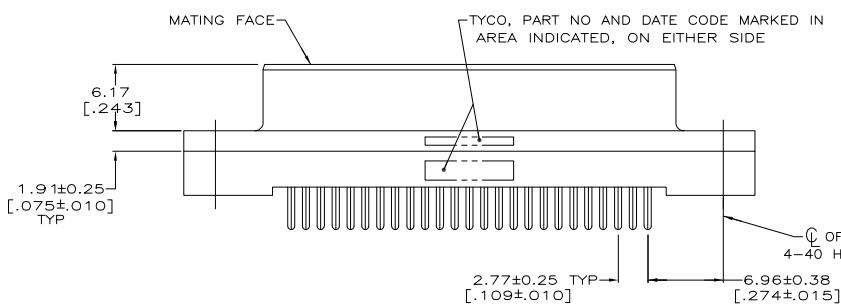


THE DRAWING IS UNPUBLISHED.
 RELEASED FOR PUBLICATION
 BY TYCO ELECTRONICS CORPORATION. ALL RIGHTS RESERVED.

LOC	QST	REV	DESCRIPTION	DATE	BY	APP
GP	00	0	RELEASED PER EC 0513-0087-05	13SEP05	GP	JG



- 1 HOUSING: BLACK POLYESTER, UL 94V-0 RATED; CONTACTS: PHOSPHOR BRONZE; INSERTS: BRASS.
- 2 GOLD FLASH FOR A LENGTH OF 2.54[.100] MIN FROM MATING END, 2.54 μm[.000100] MIN TIN ON OPPOSITE END, ALL OVER 1.27 μm[.000050] MIN NICKEL.
- 3 0.76 μm[.000030] MIN GOLD FOR A LENGTH OF 2.54[.100] MIN FROM MATING END, 2.54 μm[.000100] MIN TIN ON OPPOSITE END, ALL OVER 1.27 μm[.000050] MIN NICKEL.



RECOMMENDED PC BOARD MOUNTING DIMENSIONS

**COPYRIGHT 2005
 TYCO ELECTRONICS CORP
 ALL RIGHTS RESERVED**

1	5745058-4
2	5745058-3
3	CONTACT FINISH PART NO

THIS DRAWING IS A CONTROLLED DOCUMENT.		BY: G. PETERS 13SEP05	Tyco Electronics Corporation Harrisburg, PA 17105-3608			
DIMENSIONS: TO DIMENSIONS UNLESS OTHERWISE SPECIFIED:		BY: S. BOLASH 13SEP05				
mm [INCHES]		BY: M. WALMSLEY 13SEP05	RECEPTACLE ASSEMBLY, SIZE 3, 25 POSN, VERTICAL, AMPLITE HD-20			
0 P/C # - 1 P/C # - 2 P/C # 0.13 [A05] 3 P/C # - 4 P/C # - 5 P/C # - 6 P/C # - 7 P/C # - 8 P/C # - 9 P/C # - 10 P/C # - 11 P/C # - 12 P/C # - 13 P/C # - 14 P/C # - 15 P/C # - 16 P/C # - 17 P/C # - 18 P/C # - 19 P/C # - 20 P/C # - 21 P/C # - 22 P/C # - 23 P/C # - 24 P/C # - 25 P/C # -	PRODUCT SPEC: 108-40025	APPLICATION SPEC: -	SIZE: A2	CAGE CODE: 00779	DRAWING NO: 5745058	RESTRICTED TO: -
MATERIAL: SEE TABLE	FINISH: -	WEIGHT: -	CUSTOMER DRAWING	SCALE: 4:1	SHEET: 1 of 1	REV: 0

AMP 1471-B REV 31MAR2000

5745058