

4

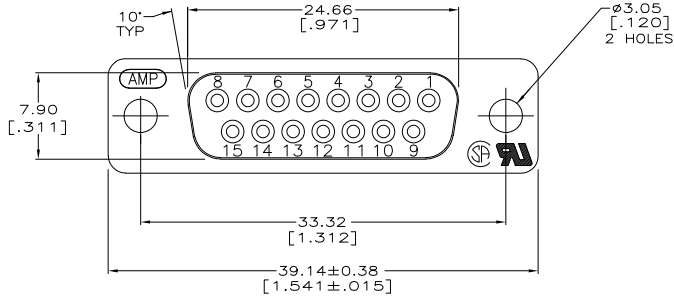
3

2

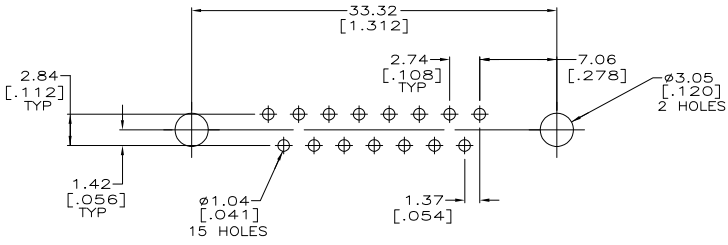
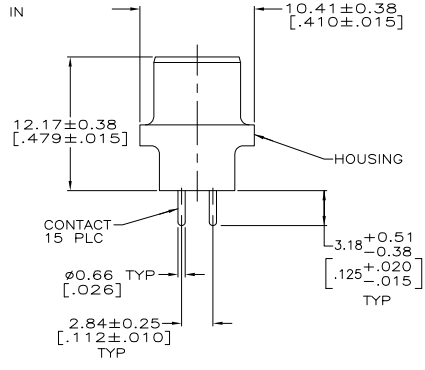
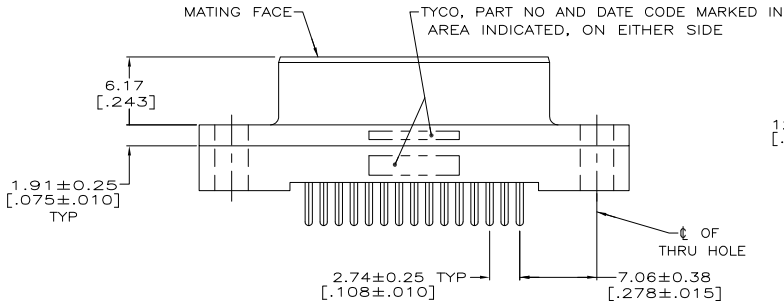
1

THIS DRAWING IS UNPUBLISHED. RELEASED FOR PUBLICATION.
 © COPYRIGHT BY TYCO ELECTRONICS CORPORATION. ALL RIGHTS RESERVED.

LOC		DIBT		REVISIONS			
P	LTR	DESCRIPTION	DATE	BY	APP'D		
0		RELEASED PER EC 0513-0087-05		OBSEPOS	GP	JG	



- △ HOUSING: BLACK POLYESTER, UL 94V-0 RATED. CONTACTS: PHOSPHOR BRONZE.
- △ GOLD FLASH FOR A LENGTH OF 2.54[.100] MIN FROM MATING END, 2.54µm[.000100] MIN TIN FOR A LENGTH OF 3.18[.125] FROM OPPOSITE END, ALL OVER 1.27µm[.000050] MIN NICKEL.
- △ 0.76µm[.000030] MIN GOLD FOR A LENGTH OF 2.54[.100] MIN FROM MATING END, 2.54µm[.000100] MIN TIN FOR A LENGTH OF 3.18[.125] FROM OPPOSITE END, ALL OVER 1.27µm[.000050] MIN NICKEL.



RECOMMENDED PC BOARD MOUNTING DIMENSIONS

**COPYRIGHT 2005
 TYCO ELECTRONICS CORP
 ALL RIGHTS RESERVED**

△	5207827-4
△	5207827-3
CONTACT FINISH	PART NO

THIS DRAWING IS A CONTROLLED DOCUMENT.		DW: C. PETERS		OBSEPOS		Tyco Electronics Corporation	
DIMENSIONS: INCHES		OK: S. BOLASH		OBSEPOS		Harrisburg, PA 17105-3608	
OTHER DIMENSIONS: MILLIMETERS		APD: M. WALMSLEY		OBSEPOS		RECEPTACLE ASSEMBLY, SIZE 2, 15 POSN, VERTICAL, AMPLIMITE HD-20	
0 PLC ±		PRODUCT SPEC: 108-40025		OBSEPOS		RESTRICTED TO	
1 PLC ±		APPLICATION SPEC:		OBSEPOS		-	
2 PLC ±		HEIGHT:		OBSEPOS		-	
3 PLC ±		CUSTOMER DRAWING		OBSEPOS		-	
4 PLC ±		SCALE: 4:1		OBSEPOS		-	
ANGLES ±		SHEET: 1 of 1		OBSEPOS		-	
FINISH:		REV: 0		OBSEPOS		-	
CONTACTS: SEE TABLE				OBSEPOS		-	

AMP 1471-9 REV 31MMR2000

5207827