

4

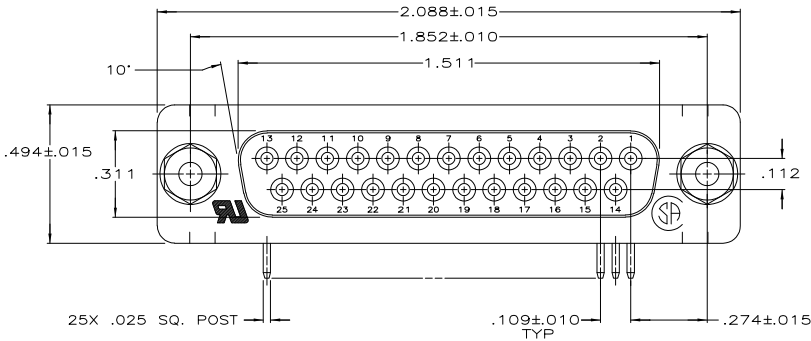
3

2

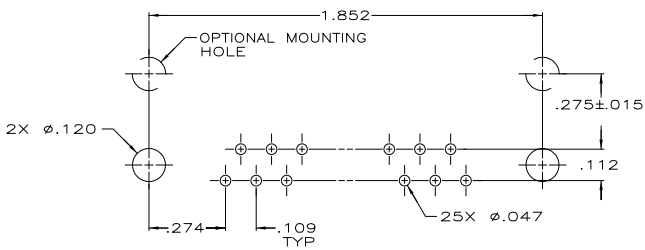
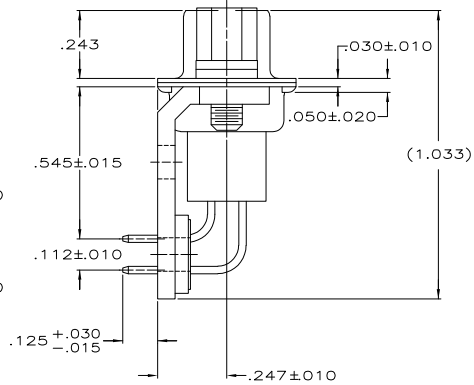
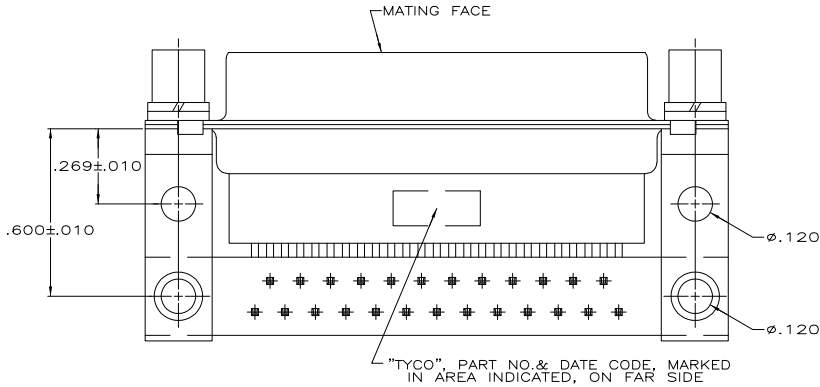
1

THIS DRAWING IS UNPUBLISHED. RELEASED FOR PUBLICATION
© COPYRIGHT 2005 BY TYCO ELECTRONICS CORPORATION. ALL RIGHTS RESERVED.

LOC		DIBT		REVISIONS		
P	LTR	DESCRIPTION	DATE	MIN	APPD	
GP	00	A	REVISED PER ECO-06-028330	3/JAN/07	ZMR	EDB



- △ MOLDED PARTS: GLASS FILLED NYLON, UL94V-0 RATED, BLACK;
SHELLS & BRACKETS: CARBON STEEL.
CONTACTS: PHOSPHOR BRONZE.
SCREWLOCKS & WASHERS: CARBON STEEL.
- △ SHELLS: .000200 MIN TIN OVER .000100 MIN COPPER.
BRACKETS: .000200 MIN TIN OVER .000050 MIN COPPER.
SCREWLOCKS & WASHERS: ZINC PLATED WITH CLEAR CHROMATE COATING.
CONTACTS: .000030 MIN GOLD FOR A LENGTH OF .100 MIN FROM MATING END, .000100 MIN TIN ON OPPOSITE END, BOTH OVER .000050 MIN NICKEL.
-OR-
GOLD FLASH OVER .000030 MIN PALLADIUM NICKEL PLATED FOR A LENGTH OF .100 MIN FROM MATING END, .000100 MIN TIN ON OPPOSITE END, BOTH OVER .000050 MIN NICKEL.



P.C. BOARD MOUNTING DIMENSIONS

5745536-2
PART NUMBER

THIS DRAWING IS A CONTROLLED DOCUMENT.		DR. D. HENRY	8-31-05	 Tyco Electronics Corporation Harrisburg, PA 17105-3608
DIMENSIONS: INCHES		OK. S. BOLASH	8-31-05	
MATERIAL		APPD. M. WALMSLEY	8-31-05	NAME
FINISH		PRODUCT SPEC	108-40025	RECEPTACLE ASSEMBLY, SIZE 3, 25 POSITION, RIGHT ANGLE, .545 SERIES, .025 SQ. POSTS, WITH SCREWLOCKS, AMPLUMITE HDP
		APPLICATION SPEC	114-40013	SIZE
		HEIGHT	-	CODE (FOR WIG)
		RESTRICTED TO	A2	00779
		CUSTOMER DRAWING	SCALE	4:1
			SHEET	1 of 1
			REV	A

5745536

A