

4

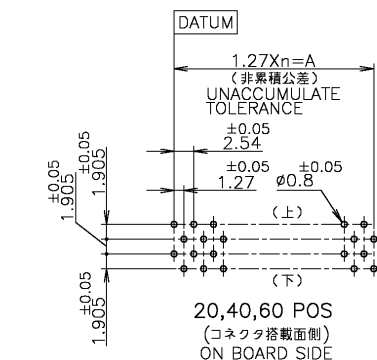
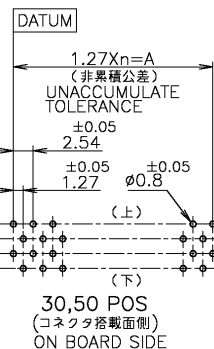
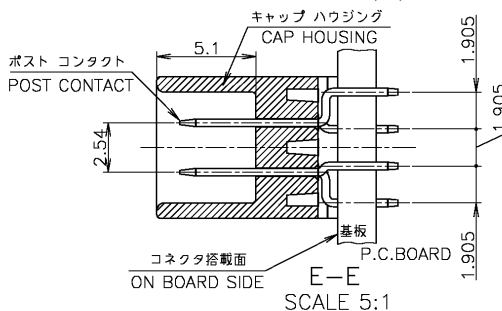
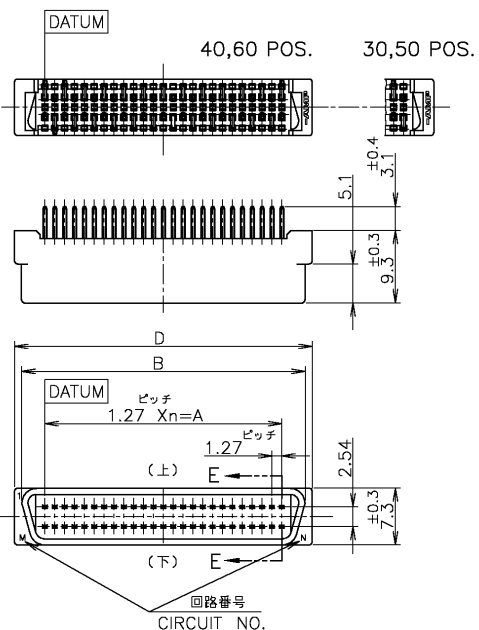
3

2

1

THIS DRAWING IS UNPUBLISHED. RELEASED FOR PUBLICATION NOV. 2004.  
 COPYRIGHT 2004 BY TYCO ELECTRONICS CORPORATION. ALL RIGHTS RESERVED.

LOC	DIST	REVISIONS					
J		P	LTR	DESCRIPTION	DATE	DWN	APVD
		O		RELEASED (FJB0-1309-04)	23NOV04	T.K	I.E



Au PL: 0.00076 MIN.	6	-	-5	20	9	11.43	17.40	19.20
	6	-	-4	60	29	36.83	42.80	44.60
	6	-	-3	50	24	30.48	36.45	38.26
	6	-	-2	40	19	24.13	30.10	31.90
Au PL: 0.0002 MIN.	6	-	-1	30	14	17.78	23.75	25.55
			-5	20	9	11.43	17.40	19.20
			-4	60	29	36.83	42.80	44.60
			-3	50	24	30.48	36.45	38.26
		-2	40	19	24.13	30.10	31.90	
		-1	30	14	17.78	23.75	25.55	

- 1 基板表面はレジスト処理を施すこと。
  - 2 基板の寸法は、コネクタ搭載側から示す。
  - 3 基板及びコネクタのn数は [DATUM] 位置より数える。
- △ ハウジング材料：P.B.T樹脂 (94V-0)、色：黒色  
 △ コネクタ材料：銅合金  
 △ コネクタ表面仕上：1.27μ MIN厚の全面ニッケル下地めっき上に接触部分は0.76μ MIN. 又は0.2μ MIN厚の金めっき、半田付部分は1μ MIN厚のすずめっき

鉛フリー  
LEAD FREE

- 1 USE A P.C.B. WHOSE ARE TREATED WITH SOLDER RESIST.
  - 2 SHOW P.C.B LAYOUT FROM ON BOARD SURFACE SIDE.
  - 3 NUMBER THE CONTACT IN THE P.C.B OR CONNECTOR CONSECUTIVELY FROM "DATUM" SIDE.
- △ HOUSING MATERIAL : P.B.T(UL94V-0) / BLACK  
 △ CONTACT MATERIAL : COPPER ALLOY  
 △ FINISH : NICKEL 0.00127 MIN THK. OVERALL SELECTIVE GOLD 0.00076 MIN. OR 0.0002 MIN. THK ON CONTACT AREA AND TIN 0.001 MIN THK. ON TINE AREA.

GENERAL TOLERANCE	10 ≥ : ±0.2
一般公差	30 ≥ > 10 : ±0.25
	100 ≥ > 30 : ±0.3
	ANGLES : ±3°

THIS DRAWING IS A CONTROLLED DOCUMENT.		DWN	T. KAWAMAE	23NOV04
DIMENSIONS: 単位: 概 MM		CHK	I. ENOMOTO	23NOV04
TOLERANCES UNLESS OTHERWISE SPECIFIED: 一般公差		APVD	I. ENOMOTO	23NOV04
0 PLC	±	PRODUCT SPEC	108-60008	
1 PLC	±	APPLICATION SPEC	取付適用規格	
2 PLC	±	WEIGHT		
3 PLC	±	CUSTOMER DRAWING		
4 BCC	±			
ANGLES	±			
MATERIAL 材料	参照 △ △			
FINISH 仕上	参照 △			

REMARK	PART NUMBER	POS	n	A	B	D
Tyco Electronics AMP K.K. Kawasaki, Japan						
NAME 名称: CAP ASSY (VERTICAL / W/O SCREW HOLE) AMPLIMITE 050 SERIES I B-TO-B CONN.						
SIZE	CAGE CODE	DRAWING NO	RESTRICTED			
A3	00779	5174216				
SCALE 尺度: 2:1		SHEET 1 of 1		REV 0		

AMP 1470-19 REV 31MAR2000

03FEB04 FJ028532