

4

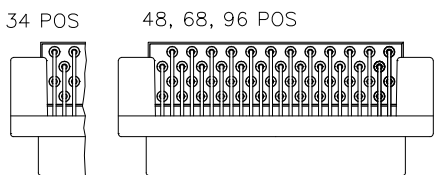
3

2

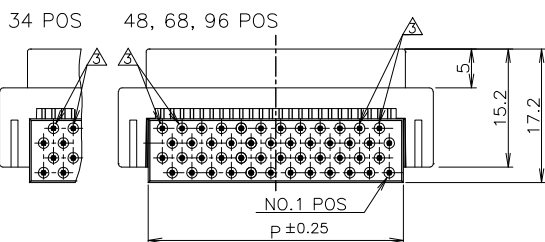
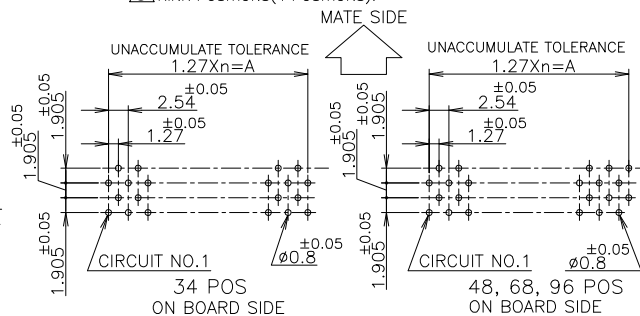
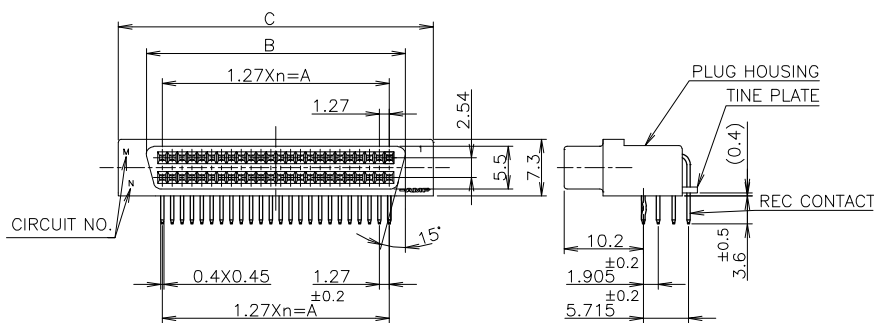
1

THIS DRAWING IS UNPUBLISHED. RELEASED FOR PUBLICATION DEC. 1987.
 © COPYRIGHT 1987 BY TYCO ELECTRONICS CORPORATION. ALL RIGHTS RESERVED.

LOC	DIST	REVISIONS			
P	LTR	DESCRIPTION	DATE	DWN	APVD
A		RELEASED	16MAR85	L.Z	I.E.



1 MATERIAL AND FINISH
 PLUG HOUSING AND TINE PLATE
 ; THERMOPLASTIC (UL94V-0) COLOR: BLACK
 REC. CONTACT
 ; COPPER ALLOY FINISH OVER NICKEL
 MATING END: 0.0002 MIN. OR
 0.00076 MIN. GOLD
 TERMINATION END: TIN
 OVER SEALING TREATMENT.
 2 P.C.B. LAYOUT AND P.C.B. TREATMENT (REF.)
 USE A P.C.B. SURFACE ARE TREATED WITH SOLDER RESIST.
 3 KINK POSITIONS (4 POSITIONS).



Au PL. 0.00076 MIN	45.51	68	34	41.91	46.08	53.22	33	68	8-5174682-7
Au PL. 0.0002 MIN	45.51	68	34	41.91	46.08	53.22	33	68	3-5174682-7
REMARK	P	N	M	A	B	C	n	POS.	PART NO.

THIS DRAWING IS A CONTROLLED DOCUMENT.

DIMENSIONS: 単位: 寸 公差

TOLERANCES UNLESS OTHERWISE SPECIFIED: 公差

0 PLC ± -
 1 PLC ± -
 2 PLC ± -
 3 PLC ± -
 4 PLC ± -
 ANGLES ± -
 MATERIAL 材料
 FINISH 仕上

APPROVALS:
 DWN: GAVIN ZHANG
 CHK: T. KAWAMAE
 APVD: I. ENOMOTO

NAME: Tyco Electronics
 Tyco Electronics AMP K.K.
 Kawasaki, Japan

PRODUCT SPEC: 製品規格
 108-60036

APPLICATION SPEC: 取付適用規格

SIZE: A3 CAGE CODE: 00779 DRAWING NO: 5174682

RESTRICTED TO: -

CUSTOMER DRAWING SCALE: 2:1 SHEET: 1 OF 1 REV: A

GENERAL TOLERANCE 一般公差

10 ≥	±0.2
30 >	±0.25
100 >	±0.3

ANGLES: ±3°