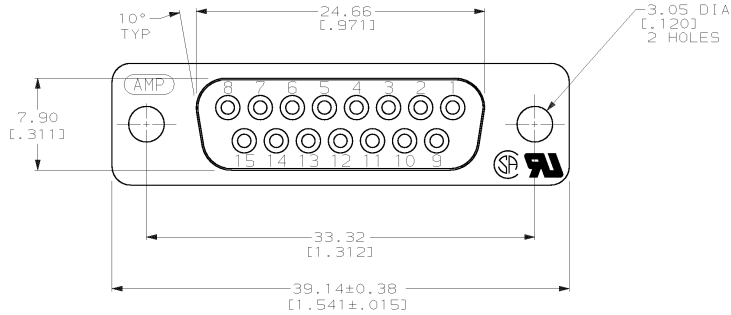


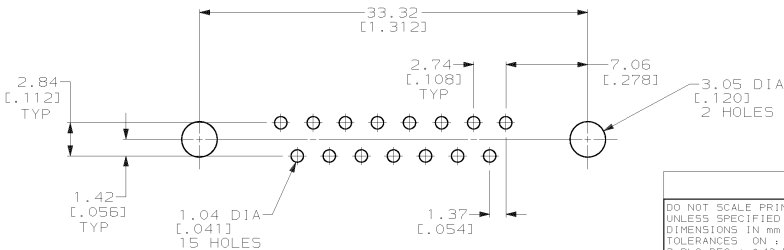
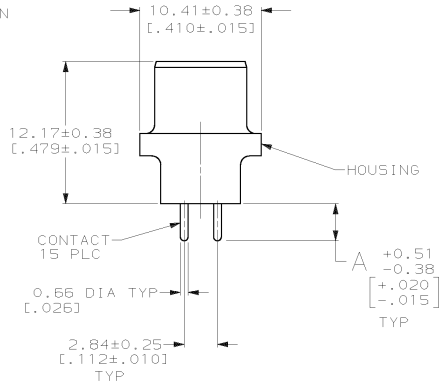
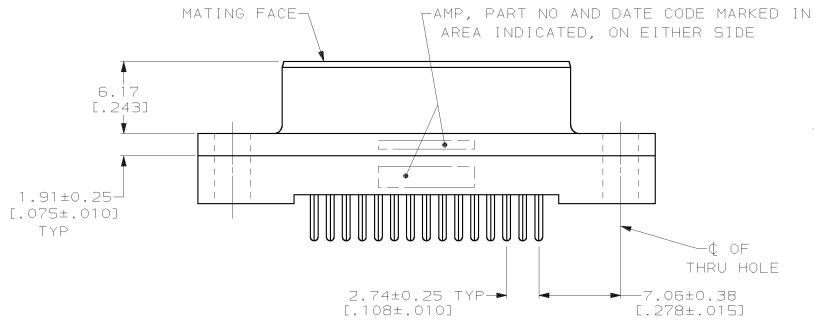
DRAWING MADE IN THIRD ANGLE PROJECTION

THIS DRAWING IS UNPUBLISHED. RELEASED FOR PUBLICATION
 © COPYRIGHT 19 BY AMP INCORPORATED. ALL INTERNATIONAL RIGHTS RESERVED.

LOC	DISP	P	F	ZONE	LTR	REVISIONS	DATE	APPD
GP	00					G REVISED PER EC 0513-0017-03	12/4/93	JG



- ⚠ HOUSING: BLACK POLYESTER, UL 94V-0 RATED; CONTACTS: PHOSPHOR BRONZE PER 00-B-750.
- ⚠ GOLD PLATING PER MIL-G-45204, TIN PLATING PER MIL-T-10727, NICKEL PLATING PER 00-N-290.
- ⚠ GOLD FLASH FOR A LENGTH OF 2.54[.100] MIN FROM MATING END, 2.54μm[.000100] MIN TIN OR TIN-LEAD FOR A LENGTH OF DIMENSION A FROM OPPOSITE END, ALL OVER 1.27μm[.000050] MIN NICKEL.
- ⚠ 0.76μm[.000030] MIN GOLD FOR A LENGTH OF 2.54[.100] MIN FROM MATING END, 2.54μm[.000100] MIN TIN OR TIN-LEAD FOR A LENGTH OF DIMENSION A FROM OPPOSITE END, ALL OVER 1.27μm[.000050] MIN NICKEL.



RECOMMENDED PC BOARD MOUNTING DIMENSIONS

OBSOLETE	6.35 [0.250]	⚠	207827-8
OBSOLETE	6.35 [0.250]	⚠	207827-7
OBSOLETE	4.32 [0.170]	⚠	207827-6
OBSOLETE	4.32 [0.170]	⚠	207827-5
	3.18 [0.125]	⚠	207827-4
	3.18 [0.125]	⚠	207827-3

		A	CONTACT FINISH	PART NO
DO NOT SCALE PRINT. UNLESS SPECIFIED DIMENSIONS IN mm [INCHES]		AMP INCORPORATED Harrisburg, Pa. 17105		
TOLERANCES ON:				
2 PLC DEC ± 0.13 [0.005]		NAME		
3 PLC DEC ±		RECEPTACLE ASSEMBLY, SIZE 2,		
ANGLES ± 2°		15 POSN, VERTICAL,		
MATERIAL		AMPLIMITE® HD-20		
FINISH		SIZE	CAGE CODE	DRAWING NO
CONTACT: SEE TABLE		C	00779	207827
		WEIGHT	SCALE	SHEET
			4:1	1 OF 1