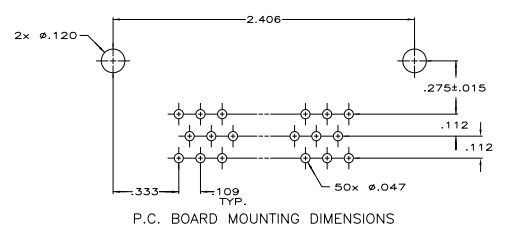
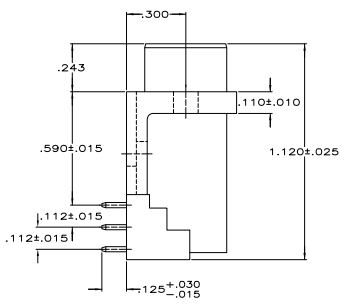
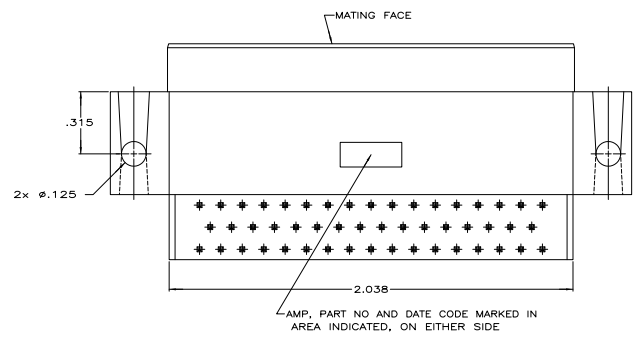
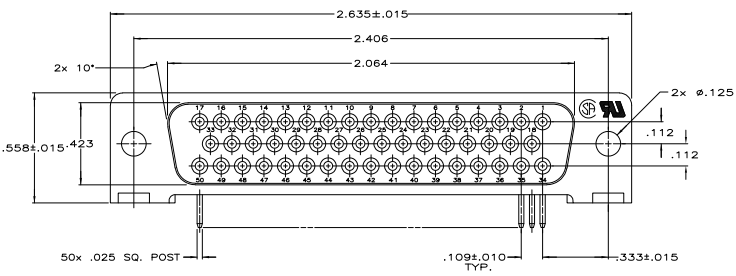


THIS DRAWING IS UNPUBLISHED. RELEASED FOR INFORMATION.
 © 2008 AMP INC. ALL RIGHTS RESERVED.

REV	DATE	DESCRIPTION	BY	CHK
00				
L		REVISED PER ECO-06-02475		



- CONNECTOR MATES WITH ANY 50 POS. PLUG IN AMPLIMITE SERIES & COMPLIES WITH AMP SPEC. 108-40,005 WHERE APPLICABLE.
- FLAME RETARDANT 94V-0 RATED THERMOPLASTIC; COLOR: BLACK.
- PHOS. BRONZE PER QQ-B-750.
- GOLD PLATED PER MIL-G-45204. TIN PLATING PER MIL-T-10727, BOTH OVER NICKEL PLATING PER QQ-N-290.
- .000030 GOLD FOR LENGTH OF .100 MIN FROM MATING END, .000100 MIN TIN-LEAD ON OPPOSITE END, BOTH OVER .000050 MIN NICKEL. OR GOLD FLASH OVER PALLADIUM NICKEL PLATED FOR LENGTH OF .100 MIN FROM MATING END, .000030 MIN PALLADIUM NICKEL IN MATED AREA, .000100 MIN TIN-LEAD ON OPPOSITE END, BOTH OVER .000050 MIN NICKEL.
- GOLD FLASH FOR LENGTH OF .100 MIN FROM MATING END, .000100 MIN TIN-LEAD ON OPPOSITE END, BOTH OVER .000050 MIN NICKEL.

CONTACT	PART NUMBER
1	206973-1
2	206973-2
3	206973-3
4	206973-4

THIS DRAWING IS A CONTROLLED DOCUMENT.		AMP ELECTRONICS (OVERSEAS)	AMP
REVISIONS		AMP ELECTRONICS Corporation Harrisburg, PA 17105-3608	
DESCRIPTION	QUANTITY	REVISED	DATE
108-40025	114-40015	A1	00779
MATERIALS		CUSTOMER DRAWING	
MOLDED PARTS		SEE TABLE	
CONTACTS		SEE TABLE	
RECEPTACLE ASSEMBLY, SIZE 5, 50 POSN, RIGHT ANGLE, .590 SERIES, .025 SQ. POSTS, AMPLIMITE HD-20		DRAWING NO. 100779	
PART NUMBER 206973		REVISED TO	
TABLE 4.1		PAGE 1 OF 1	