

4

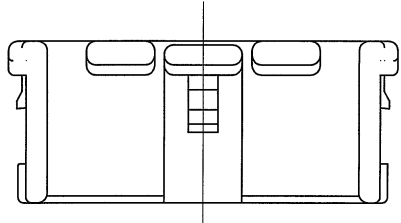
3

2

1

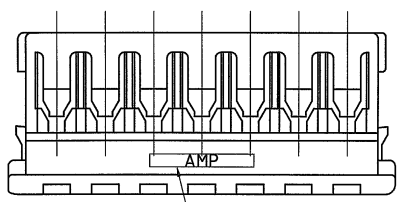
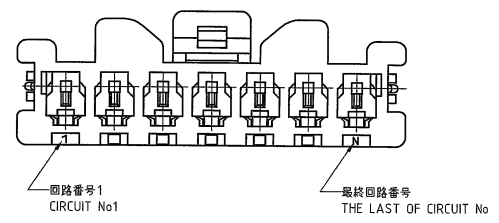
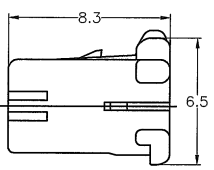
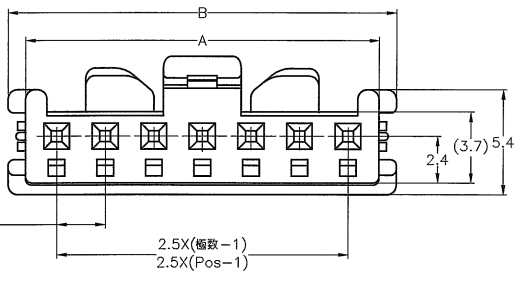
THIS DRAWING IS UNPUBLISHED. RELEASED FOR PUBLICATION  
 © COPYRIGHT - ALL RIGHTS RESERVED.

LOC		DIST		REVISIONS				
J		-		P LTR		DATE	DWN	APVD
C1				REVISED PER ECO-11-005030		22MAR11	RK	HMR



注記:  
 1. 嵌合相手製品型番  
 ヘッダーアッセンブリ: 1376478  
 1376492  
 2. 適用端子製品型番: 1376476

NOTES:  
 1. MATING CONN. P/N  
 HEADER ASSEMBLY: 1376477  
 1376492  
 2. APPLICABLE CONTACT: 1376476



トレードマーク  
TRADE MARK

型番はシート2枚目参照  
FOR PART NO. SEE SEET 2 OF 2

DIMENSIONS: 単位: 寸 MM		TOLERANCES UNLESS OTHERWISE SPECIFIED: 一般公差		DWN N. YAMASAKI 20SEP '01		TE Connectivity		2.5mm シグナルメイト コネクタ プラグハウジング 2.5mm SIGNAL MATE CONN PLUG HOUSING	
		10- ±0.2 30- ±0.25 100- ±0.3 ANGLE: ±3°		CRK M. SHINDO 20SEP '01 APVD Y. KASHIWA 20SEP '01					
MATERIAL 材料 66P-100%ガラス充填(UL94V-0) 66NYLON GLASS FILLED(UL94V-0)		FINISH 仕上		PRODUCT SPEC 製品規格 108-5703		SIZE		DRAWING NO 番号	
				APPLICATION SPEC 取付運用規格 114-5286		A3		C-1376477	
				WEIGHT		CAGE CODE		RESTRICTED TO	
				CUSTOMER DRAWING		00779		-	
						SCALE 尺度 2:1		SHEET 1 OF 2	
								REV C1	

LOC	DIST	REVISIONS 変更				
J	—	P	LTR	DESCRIPTION	DATE	APVD


	20.0	18.2	RED	7	1-1376477-7
	20.0	18.2	NATURAL	7	1376477-7
	17.5	15.7	BLUE	6	2-1376477-6
	17.5	15.7	RED	6	1-1376477-6
	17.5	15.7	NATURAL	6	1376477-6
	15.0	13.2	BLUE	5	2-1376477-5
	15.0	13.2	RED	5	1-1376477-5
	15.0	13.2	NATURAL	5	1376477-5
	12.5	10.7	BLUE	4	2-1376477-4
	12.5	10.7	NATURAL	4	1376477-4
	10.0	8.2	BLUE	3	2-1376477-3
	10.0	8.2	RED	3	1-1376477-3
	10.0	8.2	NATURAL	3	1376477-3
	7.5	5.7	BLUE	2	2-1376477-2
	7.5	5.7	RED	2	1-1376477-2
	7.5	5.7	NATURAL	2	1376477-2
備考	B	A	色	極数	型番
	寸法				

RELEASED FOR PUBLICATION

ALL RIGHTS RESERVED.

THIS DRAWING IS UNPUBLISHED.

© COPYRIGHT

DIMENSIONS: 単位: 特 MM		DWN	MATERIAL 材料	FINISH 仕上
TOLERANCES UNLESS OTHERWISE SPECIFIED: 一般公差		CHK	 TE Connectivity	
0 PLC ± - 1 PLC ± - 2 PLC ± - 3 PLC ± - 4 PLC ± - ANGLES ± -		APVD		
PRODUCT SPEC 製品規格		NAME 名称 2.5mm シグナルメイトコネクタプラグハウジング 2.5mm SIGNAL MATE CONN PLUG HOUSING		
APPLICATION SPEC 取付適用規格		SIZE	CAGE CODE	DRAWING NO 番号
WEIGHT		A4	00779	C-1376477
CUSTOMER DRAWING		SCALE 尺度		RESTRICTED TO
		1:1		—
		SHEET		REV
		2 OF 2		C1

