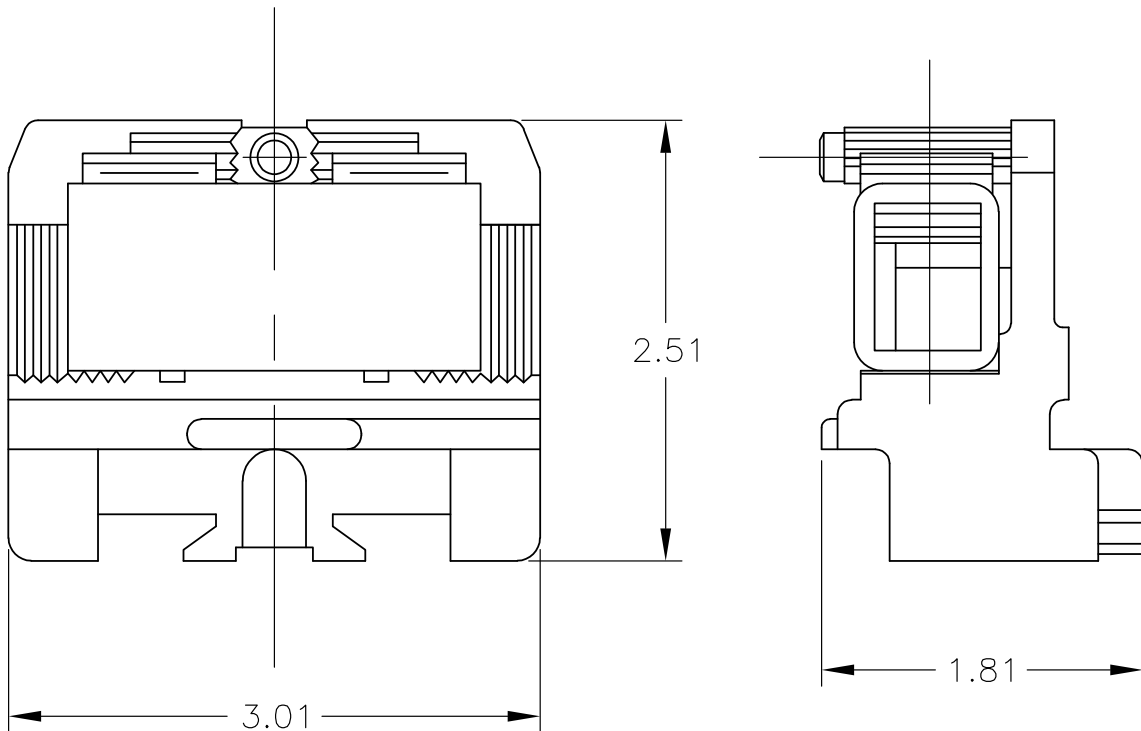


LOC	DIST	REVISIONS					
		P	LTR	DESCRIPTION	DATE	DWN	APVD
—	—		A1	REVISED PER ECO-11-005027	11MAR11	RK	HMR

△ 1 MATERIAL: PHENOLIC



THIS DRAWING IS UNPUBLISHED. ALL RIGHTS RESERVED.

DIMENSIONS: INCHES	DWN	30SEP08	MATERIAL	△ 1	FINISH	—					
	CHK	30SEP08	TE Connectivity								
TOLERANCES UNLESS OTHERWISE SPECIFIED: 0 PLC ± - 1 PLC ± - 2 PLC ± - 3 PLC ± - 4 PLC ± - ANGLES ± -	APVD	30SEP08					NAME	427-BU=TERMINAL BLOCK			
	PRODUCT SPEC	—	SIZE	CAGE CODE	DRAWING NO	RESTRICTED TO					
	APPLICATION SPEC	—	A4	00779	C-1437396-8	—					
	WEIGHT	—	CUSTOMER DRAWING				SCALE	1:1	SHEET	1 OF 1	REV