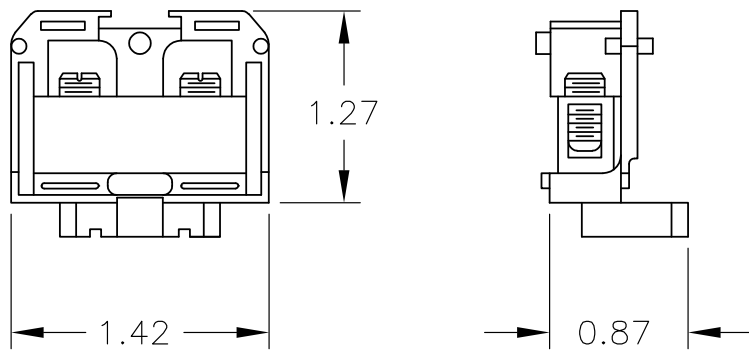


LOC	DIST	REVISIONS					
		P	LTR	DESCRIPTION	DATE	DWN	APVD
—	—		A	REDRAWN PER ECO-08-023052	29SEP08	HMR	SM

△ 1 MATERIAL: NYLON



THIS DRAWING IS UNPUBLISHED.
 ALL INTERNATIONAL RIGHTS RESERVED.
 BY TYCO ELECTRONICS CORPORATION.

DIMENSIONS: INCHES	DWN	RAGHAVENDRA	29SEP08	MATERIAL	△ 1	FINISH	—
	CHK	MACE SAM	29SEP08	Tyco Electronics Corporation Harrisburg, PA 17105-3608			
TOLERANCES UNLESS OTHERWISE SPECIFIED: 0 PLC ± - 1 PLC ± - 2 PLC ± - 3 PLC ± - 4 PLC ± - ANGLES ± -	APVD	MACE SAM	29SEP08				
	PRODUCT SPEC	NAME HEAVY DUTY, T.C NYLON F.B. TERMINAL BLOCK ASS'Y					
	APPLICATION SPEC	SIZE CAGE CODE DRAWING NO				RESTRICTED TO	
	WEIGHT	A4 00779 C-4-1437390-1				—	
CUSTOMER DRAWING				SCALE	1:1	SHEET	1 OF 1
						REV	A