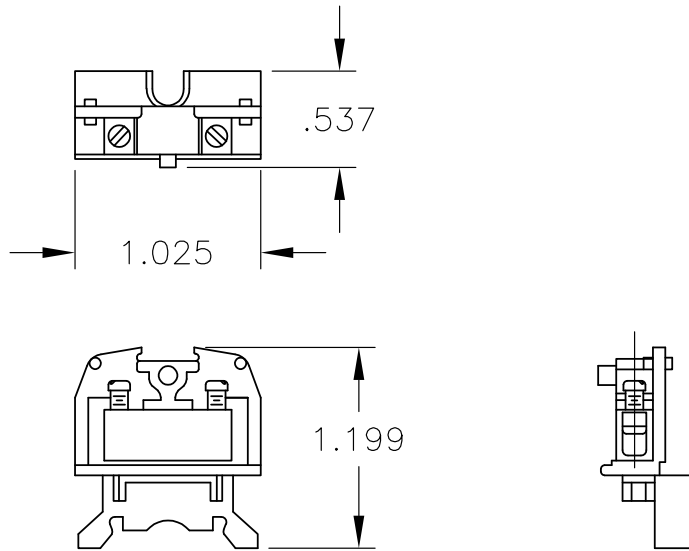


LOC	DIST	REVISIONS					
		P	LTR	DESCRIPTION	DATE	DWN	APVD
—	—		A	REDRAWN PER ECO-08-023052	30SEP08	HMR	SM

△ 1 MATERIAL: NYLON



THIS DRAWING IS UNPUBLISHED.
 ALL INTERNATIONAL RIGHTS RESERVED.
 BY TYCO ELECTRONICS CORPORATION.

DIMENSIONS: INCHES	DWN	RAGHAVENDRA	30SEP08	MATERIAL	△ 1	FINISH	—
	CHK	MACE SAM	30SEP08	Tyco Electronics Corporation Harrisburg, PA 17105-3608			
TOLERANCES UNLESS OTHERWISE SPECIFIED: 0 PLC ± - 1 PLC ± - 2 PLC ± - 3 PLC ± .005 4 PLC ± - ANGLES ± -	APVD	MACE SAM	30SEP08				
PRODUCT SPEC				NAME			
APPLICATION SPEC				HIGH DENSITY-SINGLE TIER ASS'Y (600 VOLTS)			
WEIGHT				SIZE	CAGE CODE	DRAWING NO	RESTRICTED TO
—				A4	00779	①-1437381-5	—
CUSTOMER DRAWING				SCALE	1:1	SHEET	1 OF 1
						REV	A