

4

3

2

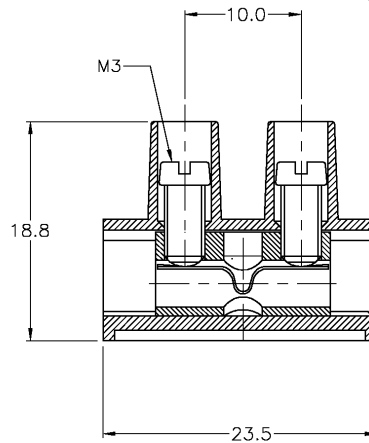
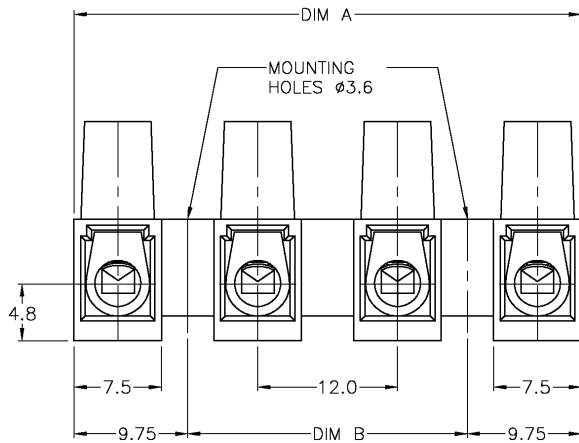
1

THIS DRAWING IS UNPUBLISHED. RELEASED FOR PUBLICATION  
 © COPYRIGHT - BY TYCO ELECTRONICS CORPORATION. ALL RIGHTS RESERVED.

LOC	DIST	REVISIONS				
P	LTR	DESCRIPTION	DATE	DWN	APVD	
0		REVISED PER OG3B-1020-04	3/21/05	SS	CR	

**MATERIALS:**  
 HOUSING: POLYAMIDE 6 UL94V-2  
 COLOR: NATURAL (OFF WHITE).  
 TUBULAR CONTACT: BRASS, TIN PLATED.  
 SCREW: M3, STEEL, ZINC PLATED W/ NON-HEXAVALENT CHROMATE (CHROME III).  
 WIRE PROTECTOR: STAINLESS STEEL.

**ELECTRICAL:**  
 CURRENT RATING: 40A, 250V.  
 WIRE RANGE: 10-22 AWG.



120	139.5	TSB1000	12MDS	1-1776319-2
108	127.5	TSB1000	11MDS	1-1776319-1
96	115.5	TSB1000	10MDS	1-1776319-0
84	103.5	TSB1000	09MDS	1776319-9
72	91.5	TSB1000	08MDS	1776319-8
60	79.5	TSB1000	07MDS	1776319-7
48	67.5	TSB1000	06MDS	1776319-6
36	55.5	TSB1000	05MDS	1776319-5
24	43.5	TSB1000	04MDS	1776319-4
12	31.5	TSB1000	03MDS	1776319-3
-	19.5	TSB1000	02MDS	1776319-2
-	7.5	TSB1000	01MDS	1776319-1
DIM B	DIM A	T & B PART NUMBER	TYCO PART NUMBER	

THIS DRAWING IS A CONTROLLED DOCUMENT.		DWN S. SCHLEGEL 3/21/05	Tyco Electronics Corporation Harrisburg, Pa 17105-3608	
DIMENSIONS: mm		CHK C. RICHARD 3/21/05	APVD C. RICHARD 3/21/05	
TOLERANCES UNLESS OTHERWISE SPECIFIED:		NAME EUROPA TERMINAL BLOCK W/WIRE STOP MOUNTING HOLES Ø 3.6, 12mm PITCH		
0 PLC ± -		PRODUCT SPEC		
1 PLC ± .3		APPLICATION SPEC		
2 PLC ± .25		WEIGHT		
3 PLC ± -		SIZE CAGE CODE DRAWING NO RESTRICTED TO		
4 PLC ± -		A3 00779 C-1776319		
ANGLES ± 2		CUSTOMER DRAWING SCALE NTS SHEET 1 OF 1 REV 0		
MATERIAL FINISH				