

4

3

2

1

THIS DRAWING IS UNPUBLISHED.

RELEASED FOR PUBLICATION

ALL RIGHTS RESERVED.

COPYRIGHT - By -

LOC
FT 0DIST
0

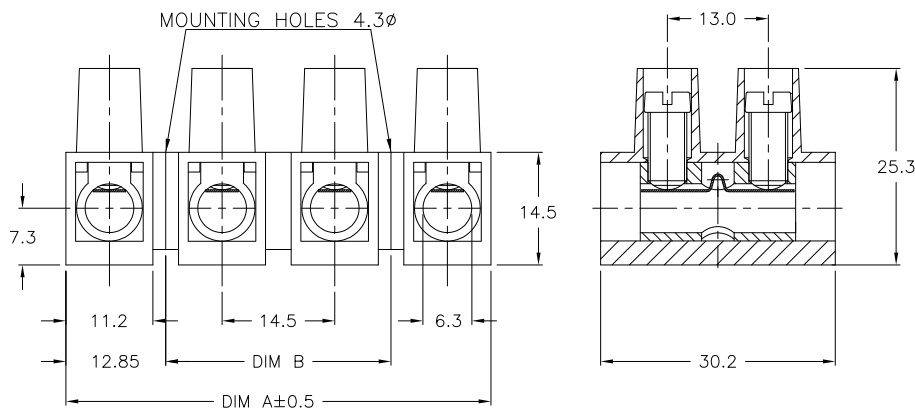
REVISIONS

P	LTR	DESCRIPTION	DATE	DWN	APVD
P		REVISED PER ECO-11-004820	11MAR11	RK	HMR

MATERIAL:
 HOUSING: POLYAMIDE 6, UL94V-2,
 COLOR OFF WHITE.
 CONTACT: BRASS, TIN PLATED.
 WIRE PROTECTOR: STAINLESS STEEL.
 SCREW: M5, STEEL, ZINC PLATED W/ NON-
 HEXAVALENT CHROMATE (CHROME III).
 WIRE PROTECTOR: STAINLESS STEEL.

ELECTRICAL:
 MAX CURRENT: 65A (UR) 70A (CSA)
 OPERATING VOLTAGE: 300V.
 WIRE RANGE: 6-14 AWG (UR) 6-22 AWG (CSA)
 DIELECTRIC WITHSTAND: 6000V.

ENVIRONMENT:
 CONTINUOUS WORKING TEMP.: -35°C TO 100°C.



145	170.7	12	TSB200012DS	1-1776313-2
130.5	156.2	11	TSB200011DS	1-1776313-1
116	141.7	10	TSB200010DS	1-1776313-0
101.5	127.2	9	TSB200009DS	1776313-9
87	112.7	8	TSB200008DS	1776313-8
72.5	98.2	7	TSB200007DS	1776313-7
58	83.7	6	TSB200006DS	1776313-6
43.5	69.2	5	TSB200005DS	1776313-5
29	54.7	4	TSB200004DS	1776313-4
14.5	40.2	3	TSB200003DS	1776313-3
-	25.7	2	TSB200002DS	1776313-2
-	11.2	1	TSB200001DS	1776313-1
DIM B	DIM A	NO OF POS	CATALOG NUMBER	PART NUMBER

THIS DRAWING IS A CONTROLLED DOCUMENT.

DWN
S SCHLEGEL 3/21/05CHK
C RICHARD 3/21/05APVD
C RICHARD 3/21/05

NAME

TE Connectivity

14.5MM PITCH WITH WIRE PROTECTOR

DIMENSIONS:

mm

TOLERANCES UNLESS OTHERWISE SPECIFIED:

0	PLC	±	-
1	PLC	±	0.3
2	PLC	±	0.25
3	PLC	±	-
4	PLC	±	-
	ANGLES	±	2°



MATERIAL

FINISH

WEIGHT

-

SIZE

A3

CAGE CODE

00779

DRAWING NO

C-1776313

RESTRICTED TO

-

CUSTOMER DRAWING

SCALE

NTS

SHEET

1 of 1

REV

P