

4

3

2

1

THIS DRAWING IS UNPUBLISHED. RELEASED FOR PUBLICATION  
 © COPYRIGHT - BY TYCO ELECTRONICS CORPORATION. ALL RIGHTS RESERVED.

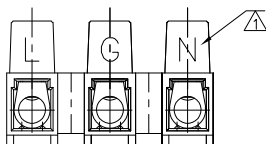
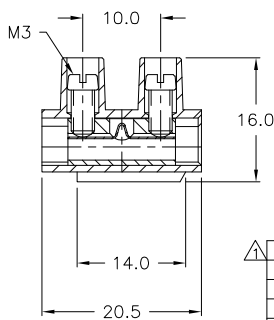
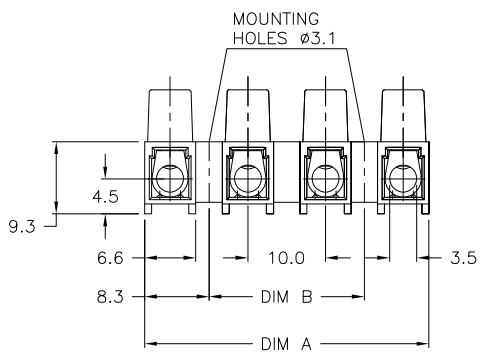
LOC	DIST	REVISIONS					
FT	0	P	LTR	DESCRIPTION	DATE	DWN	APVD
		01		REVISED PER ECO-06-5526	3/10/06	SS	CR

**MATERIAL:**  
 HOUSING: POLYAMIDE 6/6 UL94V-0.  
 COLOR: BROWN  
 TERMINAL: BRASS, TIN PLATED  
 SCREWS: STEEL, ZINC PLATED W/ NON-HEXAVALENT CHROMATE (CHROME III).  
 WIRE PROTECTOR: STAINLESS STEEL

**ELECTRICAL:**  
 CURRENT RATING: 30A  
 OPERATING VOLTAGE: 250V  
 WIRE RANGE: 12-24 AWG

**ENVIRONMENTAL:**  
 CONTINUOUS WORKING TEMP: -50°C TO +160°C

▲ PART TO BE PERMANENTLY MARKED AS SHOWN, BLACK LETTERING.



1-1776298-3

10.0	26.6	3	-	1-1776298-3
100.0	116.6	12	TSB500 1231DS HT	1-1776298-2
90.0	106.6	11	TSB500 1131DS HT	1-1776298-1
80.0	96.6	10	TSB500 1031DS HT	1-1776298-0
70.0	86.6	9	TSB500 0931DS HT	1776298-9
60.0	76.6	8	TSB500 0831DS HT	1776298-8
50.0	66.6	7	TSB500 0731DS HT	1776298-7
40.0	56.6	6	TSB500 0631DS HT	1776298-6
30.0	46.6	5	TSB500 0531DS HT	1776298-5
20.0	36.6	4	TSB500 0431DS HT	1776298-4
10.0	26.6	3	TSB500 0331DS HT	1776298-3
-	16.6	2	TSB500 0231DS HT	1776298-2
-	6.6	1	TSB500 0131DS HT	1776298-1

DIM B	DIM A	NO. OF POS	CATALOG PART NO.	PART NO.

THIS DRAWING IS A CONTROLLED DOCUMENT.		DWN S SCHLEGEL 3/18/05	Tyco Electronics Corporation	
DIMENSIONS: mm		CHK C RICHARD 3/18/05	Harrisburg, PA 17105-3608	
TOLERANCES UNLESS OTHERWISE SPECIFIED:		APVD C RICHARD 3/18/05	NAME EUROPA TERMINAL BLOCK W/ WIRE PROTECTOR	
0 PLC ± -		PRODUCT SPEC	MOUNTING HOLES 3.1 DIA, 10.0mm PITCH, HIGH TEMP	
1 PLC ± 0.3		APPLICATION SPEC	-	
2 PLC ± 0.25		WEIGHT	-	
3 PLC ± -		SIZE	A3 00779 C=1776298	
4 PLC ± -		RESTRICTED TO	-	
ANGLES ± 2°		CUSTOMER DRAWING	SCALE	NTS
MATERIAL	FINISH		SHEET	1 OF 1
			REV	01

AMP 1470-19 REV 31MAR2000

10MAR2006 10:40am us044809

H:\dm\_mod\1776298\_1-c.dwg