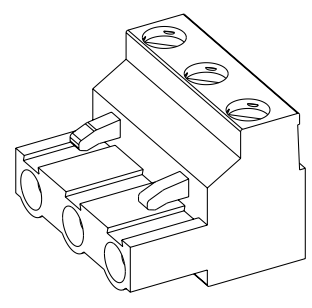
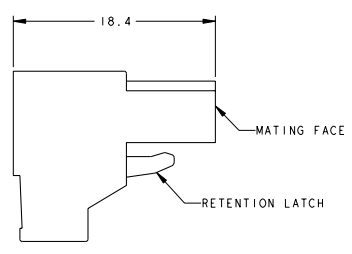
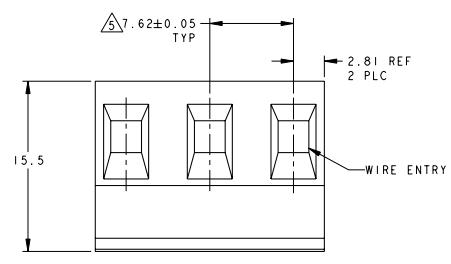
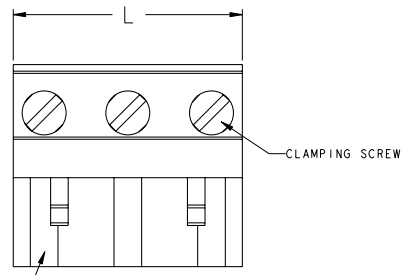


THIS DRAWING IS UNPUBLISHED. RELEASED FOR PUBLICATION 20
 ALL RIGHTS RESERVED. COPYRIGHT 20

REV	DATE	BY	CHKD	APPROV
B1	20MAR2011	HMR	CR	
DESCRIPTION: REVISED PER ECO-11-005931				



796981-3 AS SHOWN



POLARIZATION KEY SLOT

- MATERIALS AND FINISH:**
 HOUSING: PA 6-6, UL 94-V0, COLOR: SEE P/N TABLE.
 CLAMP: BRASS, NICKEL PLATED.
 DOUBLE SIDE CONTACT SPRING: PHOSPHOR BRONZE, TIN PLATED.
 CLAMPING SCREW: M3, BRASS, NICKEL PLATED.
- WIRE SIZE RANGE
 SOLID WIRE: 12-30AWG
 STRANDED WIRE: 12-30AWG
 - RECOGNIZED UNDER THE COMPONENT PROGRAM OF UNDERWRITERS LABORATORIES INC. FILE N° E60677.
 - IMO CERTIFICATE WITH SURVEILLANCE IN CONFORMITY WITH IEC 998-1/998-2-1.

NOT CUMULATIVE TOLERANCE

COLOR	DIM L.	NO OF POSN	PART NUMBER
GREEN	89.44	12	1-796981-2
GREEN	81.82	11	1-796981-1
GREEN	74.20	10	1-796981-0
GREEN	66.58	9	796981-9
GREEN	58.96	8	796981-8
GREEN	51.34	7	796981-7
GREEN	43.72	6	796981-6
BLACK	36.10	5	2-796981-5
GREEN	36.10	5	796981-5
GREEN	28.48	4	796981-4
GREEN	20.86	3	796981-3
GREEN	13.24	2	796981-2

THIS DRAWING IS A CONTROLLED DOCUMENT. DWG: 28MAR2001
 F. ZANOLINI
 D. BIEVENOUR
 D. BIEVENOUR
 D. BIEVENOUR

TE Connectivity
TE
 TERMINAL BLOCK, PLUG
 7.62mm PITCH

SCALE: NTS SHEET 1 OF 1 REV: B1