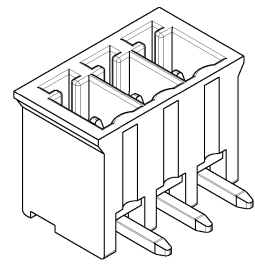
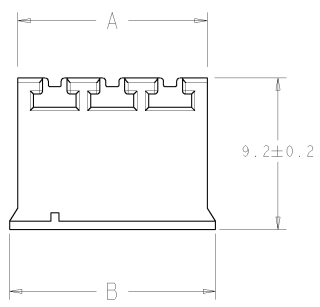


THIS DRAWING IS UNPUBLISHED. RELEASED FOR PUBLICATION BY TYCO ELECTRONICS CORPORATION. ALL RIGHTS RESERVED. (C) COPYRIGHT 2004

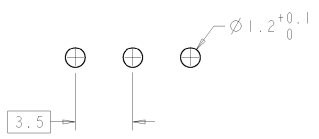
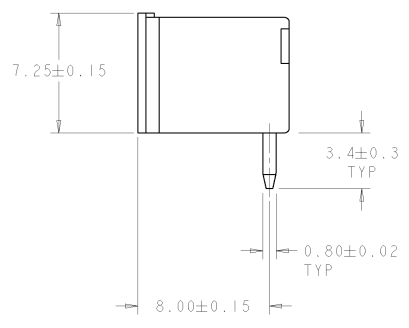
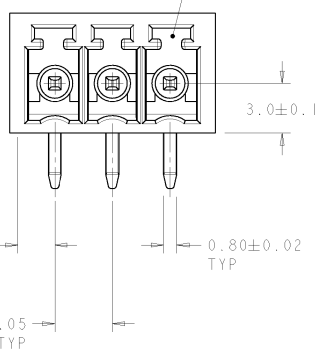
REVOLUTIONS		DATE	BY	CHKD
1	RELEASED	27NOV2000	-	-
2	REVISED EC 0638-0401-04	02JUN2004	SW	CR



796695-3 AS SHOWN

- △ MATERIALS AND FINISH:  
HOUSING : PA 6.6, UL 94-V0, COLOR: BLUE (RAL 5012)  
TERMINAL : BRASS, TIN PLATED
- 2. RECOMMENDED PC BOARD THICKNESS 1.6-2.4 MM.
- △ NOT CUMULATIVE TOLERANCE.

POLARIZATION KEY SLOT



RECOMMENDED PC BOARD LAYOUT

89.5	88.5	25	2-796695-5
86.0	85.0	24	2-796695-4
82.5	81.5	23	2-796695-3
79.0	78.0	22	2-796695-2
75.5	74.5	21	2-796695-1
72.0	71.0	20	2-796695-0
68.5	67.5	19	1-796695-9
65.0	64.0	18	1-796695-8
61.5	60.5	17	1-796695-7
58.0	57.0	16	1-796695-6
54.5	53.5	15	1-796695-5
51.0	50.0	14	1-796695-4
47.5	46.5	13	1-796695-3
44.0	43.0	12	1-796695-2
40.5	39.5	11	1-796695-1
37.0	36.0	10	1-796695-0
33.5	32.5	9	796695-9
30.0	29.0	8	796695-8
26.5	25.5	7	796695-7
23.0	22.0	6	796695-6
19.5	18.5	5	796695-5
16.0	15.0	4	796695-4
12.5	11.5	3	796695-3
9.0	8.0	2	796695-2
B	A	NO. OF POSN	PART NUMBER

DIMENSIONS: mm DIMENSIONS IN PARENTHESES ARE FOR INFORMATION ONLY.		DWG: 27NOV2000 DES: S. WELDON CHK: D. BIEVENOUR APD: D. BIEVENOUR DATE: 27NOV2000	Tyco Electronics Harrisburg, PA 17105-3600 <b>AMP</b>
0 PLC #0- 1 PLC #0-3 2 PLC #0-25 3 PLC #0-500 4 PLC #0-0000 ANGLES #0-0000	PRODUCT SPEC APPLICATION SPEC WEIGHT	SIZE CASE CODE DRAWING NO A2100779 796695	RESTRICTED TO
MATERIAL: ZINCH		CUSTOMER DRAWING	
		SCALE: 6:1	SHEET 1 OF 1 REV B