

4

3

2

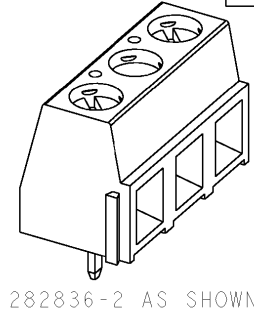
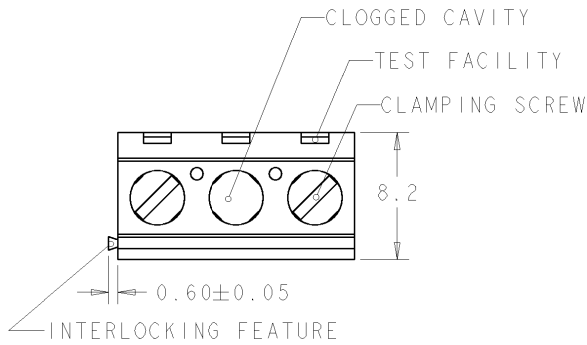
1

THIS DRAWING IS UNPUBLISHED. RELEASED FOR PUBLICATION BY TYCO ELECTRONICS CORPORATION. ALL RIGHTS RESERVED.

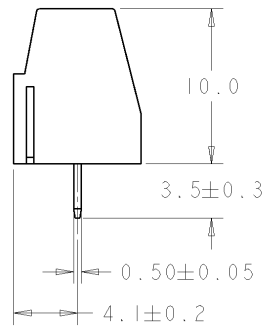
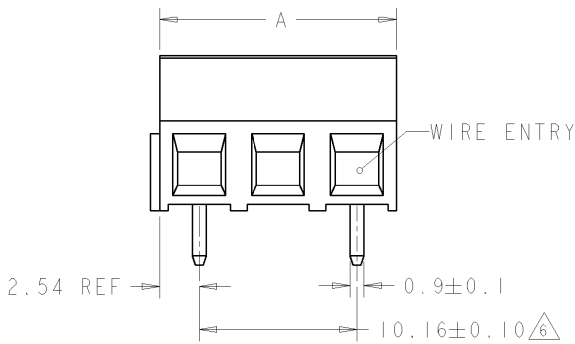
LOC FT 0 DIST 0

REVISIONS

P	LTR	DESCRIPTION	DATE	DWN	APVD
C		REVISED PER 0G3B-0106-01	04SEP2001	EZ	DB
D		REVISED PER 0G3B-0119-01	04SEP2001	EZ	DB

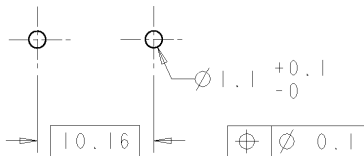


- 1 MATERIALS AND FINISH
HOUSING: PA 6-6, UL 94-V0, COLOR GREEN.
CLAMP: BRASS, NICKEL PLATED.
TERMINAL: BRASS, TIN PLATED.
CLAMPING SCREW: M3, BRASS, NICKEL PLATED.
- 2 SUITABLE FOR 1.6-2.4mm PC BOARD THICKNESS.
- 3 WIRE SIZE RANGE
SOLID WIRE: 0.03-1.5mm² (15AWG).
STRANDED WIRE: 0.03-1mm² (17AWG).
- 4 RECOGNIZED UNDER THE COMPONENT PROGRAM OF UNDERWRITERS LABORATORIES INC., FILE N° E60677.
- 5 IMO CERTIFICATE WITH SURVEILLANCE IN CONFORMITY WITH IEC 998-1/998-2-1.
- 6 NOT CUMULATIVE TOLERANCE.



DIM. A	N° OF POS.	PART NUMBER
127.00	13	1-282839-3
116.84	12	1-282839-2
106.68	11	1-282839-1
96.52	10	1-282839-0
86.36	9	282839-9
76.20	8	282839-8
66.04	7	282839-7
55.88	6	282839-6
45.72	5	282839-5
35.56	4	282839-4
25.40	3	282839-3
15.24	2	282839-2

RECOMMENDED PC BOARD LAYOUT



<small>THIS DRAWING IS A CONTROLLED DOCUMENT FOR THE ELECTRONICS CORPORATION IT IS SUBJECT TO CHANGE AND THE CONTROLLING ENGINEERING ORGANIZATION SHOULD BE CONTACTED FOR THE LATEST REVISION.</small>		DWN 04SEP2001 E. ZANOLINI CHK 04SEP2001 D. BIEVENOUR APVD 04SEP2001 D. BIEVENOUR		BUCHANAN Tyco Electronics Harrisburg, PA 17105-3608	
DIMENSIONS: mm TOLERANCES UNLESS OTHERWISE SPECIFIED: 0 PLC ±.3 1 PLC ±.3 2 PLC ±.25 3 PLC ±.3 4 PLC ±.3 ANGLES ±.2 FINISH		PRODUCT SPEC 108-20166 APPLICATION SPEC 114-20079 WEIGHT -		NAME TERMINAL BLOCK PCB MOUNT SIDE ENTRY WIRE 10.16mm PITCH SIZE A3 CAGE CODE 00779 DRAWING NO G-282839 RESTRICTED TO -	
MATERIAL		FINISH		CUSTOMER DRAWING SCALE 4:1 SHEET 1 OF 1 REV D	

AMP 1470-19 REV 31MAR2000

Pro/ENGINEER DRAWING