

4

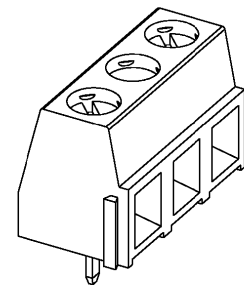
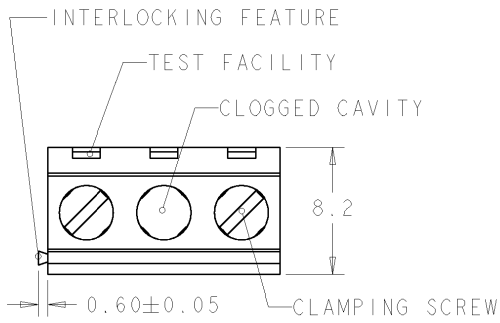
3

2

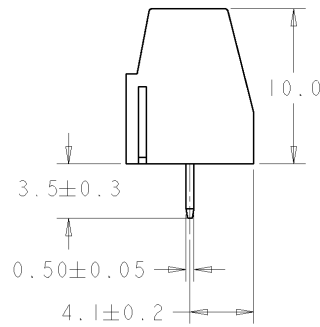
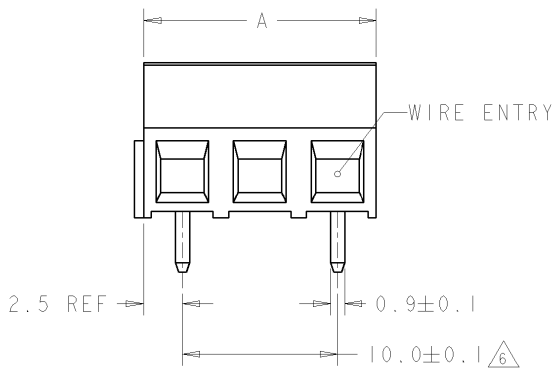
1

THIS DRAWING IS UNPUBLISHED. RELEASED FOR PUBLICATION  
 BY TYCO ELECTRONICS CORPORATION. ALL RIGHTS RESERVED.

LOC	DIST	REVISIONS					
FT	0	P	LTR	DESCRIPTION	DATE	DWN	APVD
		C		REVISED PER 063B-0106-01	24AUG2001	EZ	DB
		D		REVISED PER 063B-0119-01	24AUG2001	EZ	DB

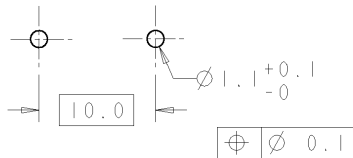


282838-2 AS SHOWN



MARKING	DIM. A	N° OF POS.	PART NUMBER
/	125	13	1-282838-4
/	115	12	1-282838-3
/	105	11	1-282838-2
/	95	10	1-282838-1
/	85	9	1-282838-0
/	75	8	282838-9
/	65	7	282838-8
SEE PAGE 2	25	3	282838-7
/	55	6	282838-6
/	45	5	282838-5
/	35	4	282838-4
/	25	3	282838-3
/	15	2	282838-2

RECOMMENDED PC BOARD LAYOUT



<small>THIS DRAWING IS A CONTROLLED DOCUMENT FOR THE ELECTRONICS CORPORATION          IT IS SUBJECT TO CHANGE AND THE CONTROLLING ENGINEERING ORGANIZATION          SHOULD BE CONTACTED FOR THE LATEST REVISION.</small>		DWN E. ZANOLINI 24AUG2001	<b>BUCHANAN</b> Tyco Electronics Harrisburg, PA 17105-3608	
DIMENSIONS: mm		CHK D. BIEVENDOUR 24AUG2001	NAME TERMINAL BLOCK PCB MOUNT SIDE ENTRY WIRE 10mm PITCH	
TOLERANCES UNLESS OTHERWISE SPECIFIED: 0 PLC ±.3 1 PLC ±.3 2 PLC ±.25 3 PLC ±.3 4 PLC ±.3 ANGLES ±.2 FINISH -		APVD D. BIEVENDOUR 24AUG2001	PRODUCT SPEC 108-20166 APPLICATION SPEC 114-20079	
MATERIAL -		WEIGHT -	SIZE A3	CAGE CODE 00779
		DRAWING NO C-282838		RESTRICTED TO -
		CUSTOMER DRAWING		SCALE 4:1 SHEET 1 OF 2 REV D

AMP 1470-19 REV 31MAR2000

Pro/ENGINEER DRAWING

4

3

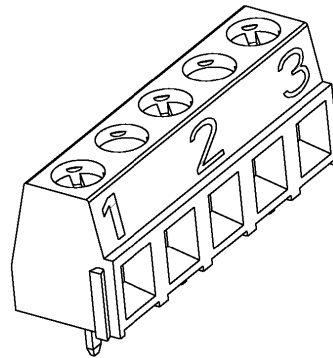
2

1

THIS DRAWING IS UNPUBLISHED. RELEASED FOR PUBLICATION 20  
 © COPYRIGHT 20 BY TYCO ELECTRONICS CORPORATION. ALL RIGHTS RESERVED.

LOC	DIST	REVISIONS				
P	LTR	DESCRIPTION	DATE	DWN	APVD	
-	-	SEE SHEET 1	-	-	-	

- 1 MATERIALS AND FINISH  
 HOUSING: PA 6-6, UL 94-V0, COLOR GREEN.  
 CLAMP: BRASS, NICKEL PLATED.  
 TERMINAL: BRASS, TIN PLATED.  
 CLAMPING SCREW: M3, BRASS, NICKEL PLATED.
- 2 SUITABLE FOR 1,6-2,4mm PC BOARD THICKNESS.
- 3 WIRE SIZE RANGE  
 SOLID WIRE: 0,03-1,5mm<sup>2</sup> (15AWG).  
 STRANDED WIRE: 0,03-1mm<sup>2</sup> (17AWG).
- 4 RECOGNIZED UNDER THE COMPONENT PROGRAM OF  
 UNDERWRITERS LABORATORIES INC. FILE N° E60677.
- 5 IMO CERTIFICATE WITH SURVEILLANCE IN CONFORMITY  
 WITH IEC 998-1/998-2-1.



282838-7 AS SHOWN

- 6 NOT CUMULATIVE TOLERANCE.
- 7 INK MARKING COLOR WHITE, UNLESS OTHERWISE SPECIFIED.  
 NUMERICAL SEQUENCE: FROM LEFT TO RIGHT, UNLESS  
 OTHERWISE SPECIFIED.

<small>THIS DRAWING IS A CONTROLLED DOCUMENT FOR TYCO ELECTRONICS CORPORATION          IT IS SUBJECT TO CHANGE AND THE CONTROLLING ENGINEERING ORGANIZATION          SHOULD BE CONTACTED FOR THE LATEST REVISION.</small>		DWN 24AUG2001 E. ZANOLINI CHK 24AUG2001 D. BIEVENDOR APVD 24AUG2001 D. BIEVENDOR		<b>BUCHANAN</b> Tyco Electronics Harrisburg, PA 17105-3608	
DIMENSIONS: mm		TOLERANCES UNLESS OTHERWISE SPECIFIED: 0 PLC ± 1 PLC ± 2 PLC ± 3 PLC ± 4 PLC ± ANGLES ±		NAME TERMINAL BLOCK PCB MOUNT SIDE ENTRY WIRE 10mm PITCH	
MATERIAL - FINISH -		PRODUCT SPEC - APPLICATION SPEC - WEIGHT -		SIZE A3 CAGE CODE 00779 DRAWING NO. G-282838 RESTRICTED TO -	
CUSTOMER DRAWING				SCALE 4:1 SHEET 2 OF 2 REV D	