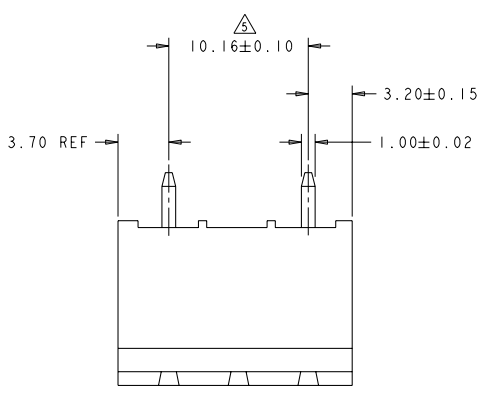
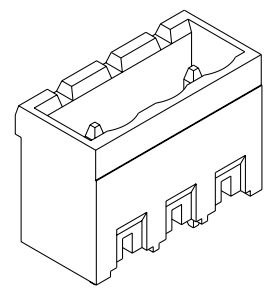


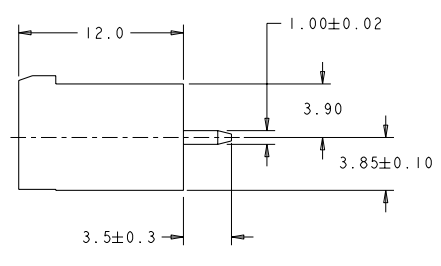
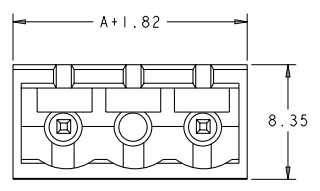
REV. NO.	DATE	BY	APPV.
DI	13JUN2011	SMR	CR



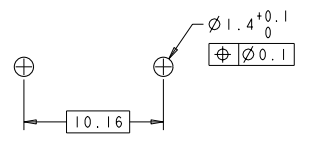
- △ MATERIALS
 HOUSING: PA 6-6, UL 94-V0, COLOR: SEE TABLE
 CONTACT: PHOSPHOR BRONZE, FINISH: SEE TABLE
- SUITABLE FOR 1,6-2,4mm PC BOARD THICKNESS.
 - RECOGNIZED UNDER THE COMPONENT PROGRAM OF UNDERWRITERS LABORATORIES INC. FILE N° E60677
 - IMQ CERTIFICATE WITH SURVEILLANCE IN CONFORMITY WITH IEC 998-1/998-2-1.
- △ NOT CUMULATIVE TOLERANCE.



282828-2 AS SHOWN



HOUSING COLOR	CONTACT FINISH	NO OF POSN	PART NUMBER
BLACK	TIN PLATED	4	2-282828-4
GREEN	0.00076 GOLD PLATED	2	1-282828-4
GREEN	TIN PLATED	13	1-282828-3
GREEN	TIN PLATED	12	1-282828-2
GREEN	TIN PLATED	11	1-282828-1
GREEN	TIN PLATED	10	1-282828-0
GREEN	TIN PLATED	9	282828-9
GREEN	TIN PLATED	8	282828-8
GREEN	TIN PLATED	7	282828-7
GREEN	TIN PLATED	6	282828-6
GREEN	TIN PLATED	5	282828-5
GREEN	TIN PLATED	4	282828-4
GREEN	TIN PLATED	3	282828-3
GREEN	TIN PLATED	2	282828-2



RECOMMENDED PC BOARD LAYOUT

THIS DRAWING IS A CONTROLLED DOCUMENT. DATE: 31 JUL 2001

DESIGNER: F. ZANOLINI
 CHECKED: D. BIEVENOUR
 APPROVED: D. BIEVENOUR

PRODUCT SPEC: 108-20166
 APPLICATION SPEC: 114-20079

WEIGHT: -
 CUSTOMER DRAWING

TE Connectivity
 TERMINAL BLOCK HEADER ASSEMBLY
 180 DEG CLOSED ENDS
 10.16mm PITCH

SHEET: A200779 CASE CODE: - DRAWING NO: -
 SCALE: 5:1 SHEET 1 OF 1 REV: D.1